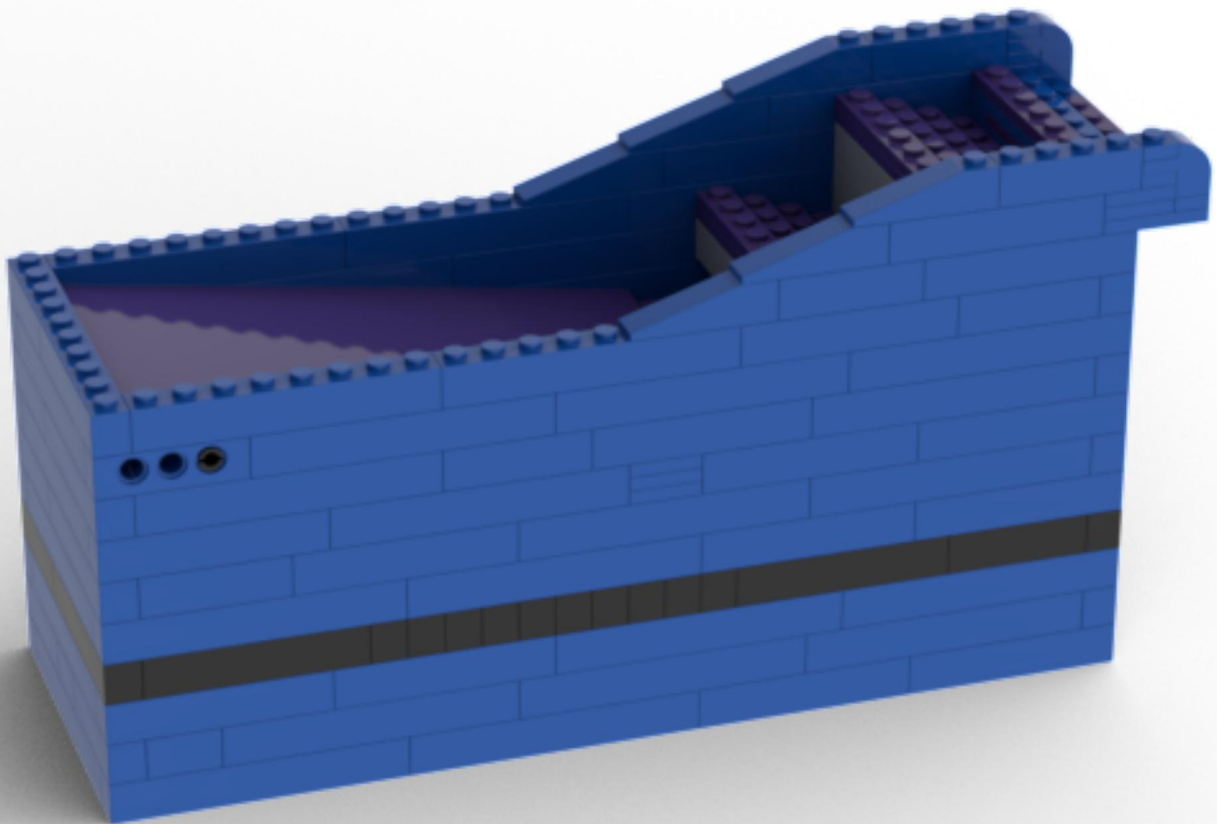




2023 Great Ball Contraption Workshop Set



The Wave

Designed by:
Steve Hassenplug



8x
3005
Black




4x
2780
Black



1x
3022
Black




3x
3705
Black




3x
3010
Black



2x
3706
Black



5x
3009
Black



7x
2730
Black



3x
10928
Dark Bluish Gray



4x
3648
Dark Bluish Gray



4x
41677
Light Bluish Gray



10x
3673
Light Bluish Gray



20x
6632
Light Bluish Gray




10x
4519
Light Bluish Gray



1x
58120c01
Light Bluish Gray



5x
3702
Light Bluish Gray



10x
3007
Light Bluish Gray



10x
32316
White



6x
3024
Blue



6x
3023
Blue



2x
43093
Blue



1x
3004
Blue



2x
6091
Blue




1x
3660
Blue




2x
3021
Blue




6x
60477
Blue




19x
3010
Blue




4x
3701
Blue



35x
3009
Blue



49x
3008
Blue



2x
3832
Blue



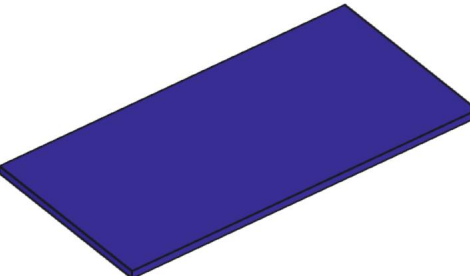
3x
3021
Dark Purple



12x
3710
Dark Purple

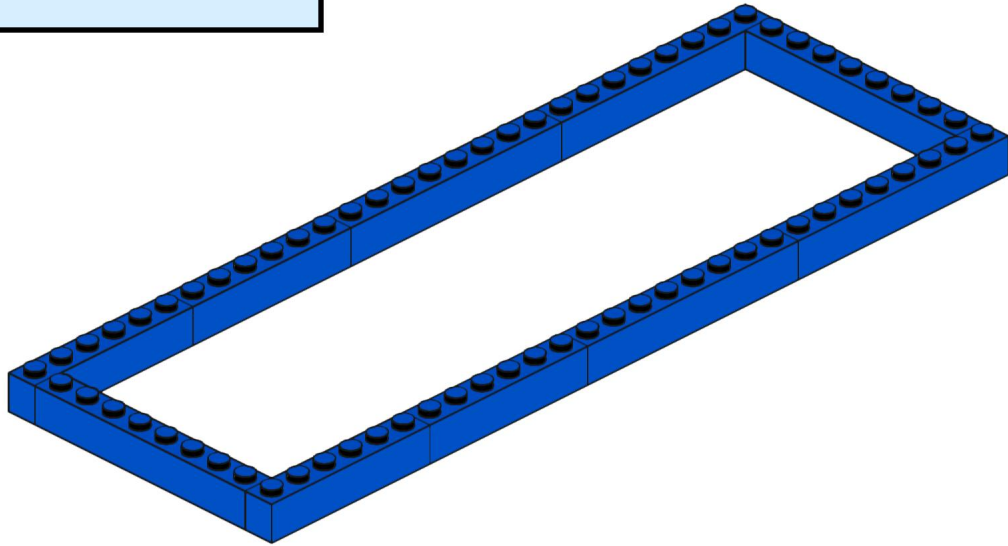
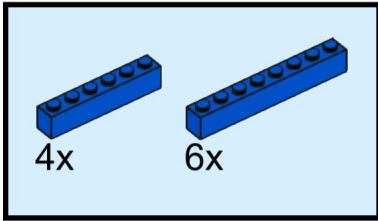


6x
3034
Dark Purple

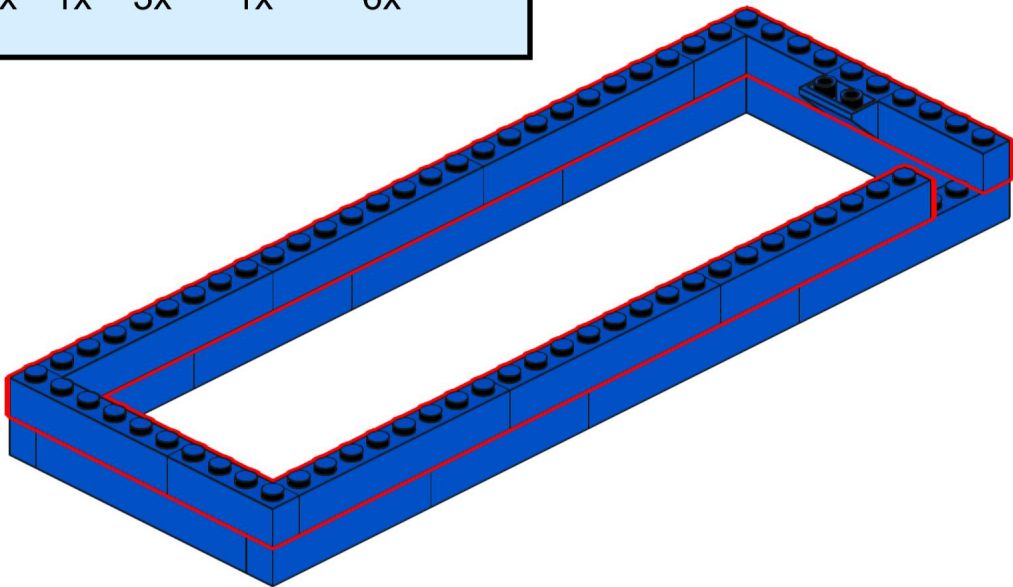
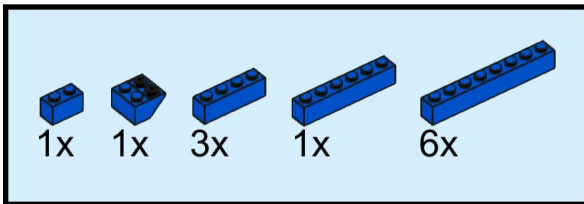


1x
90498
Dark Purple

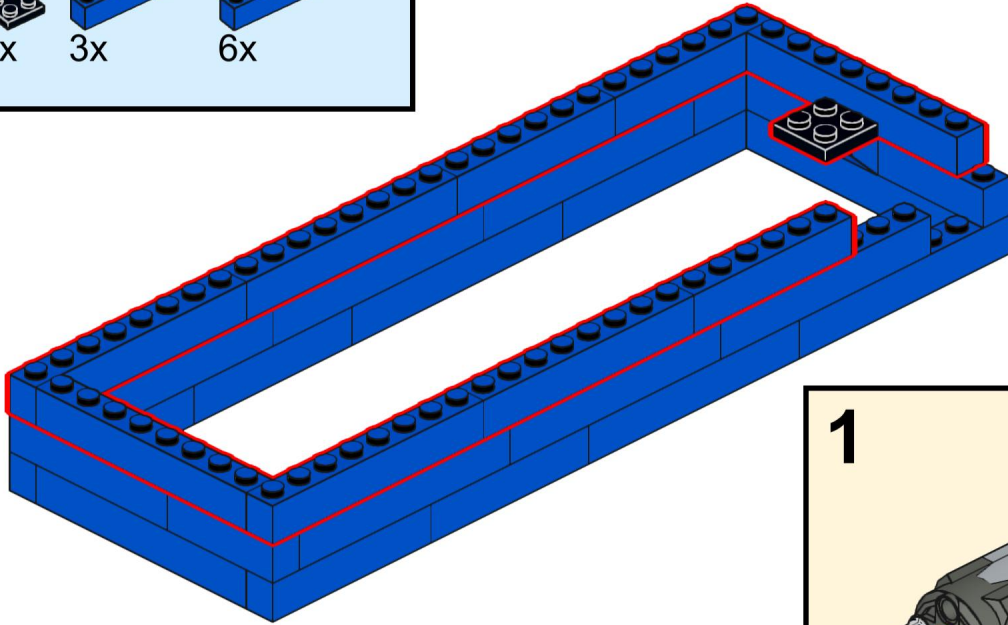
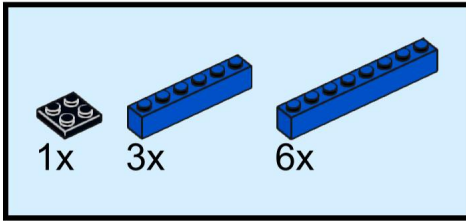
1



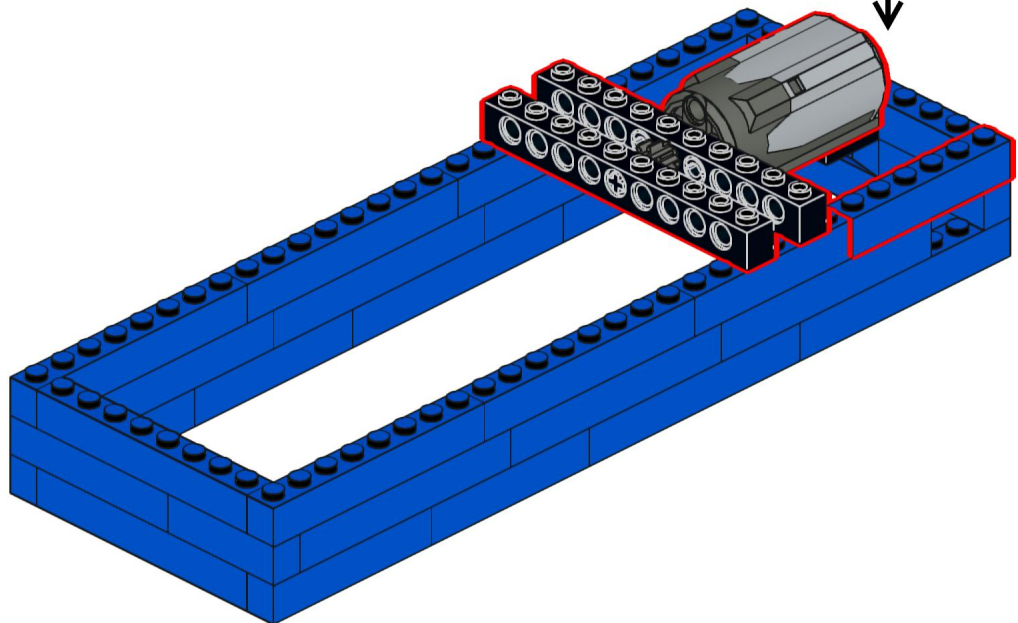
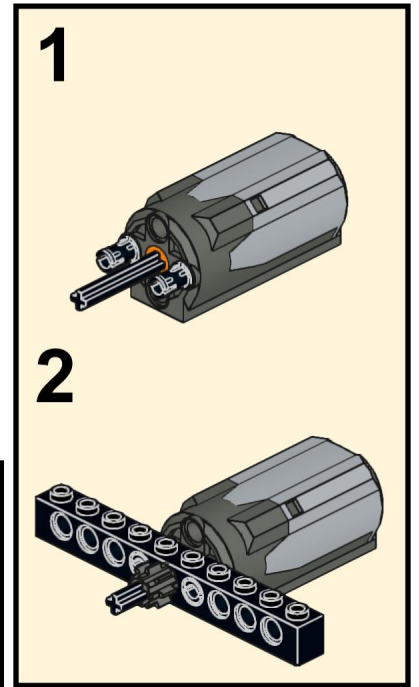
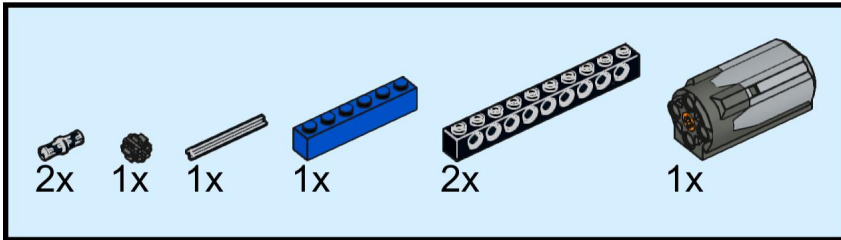
2



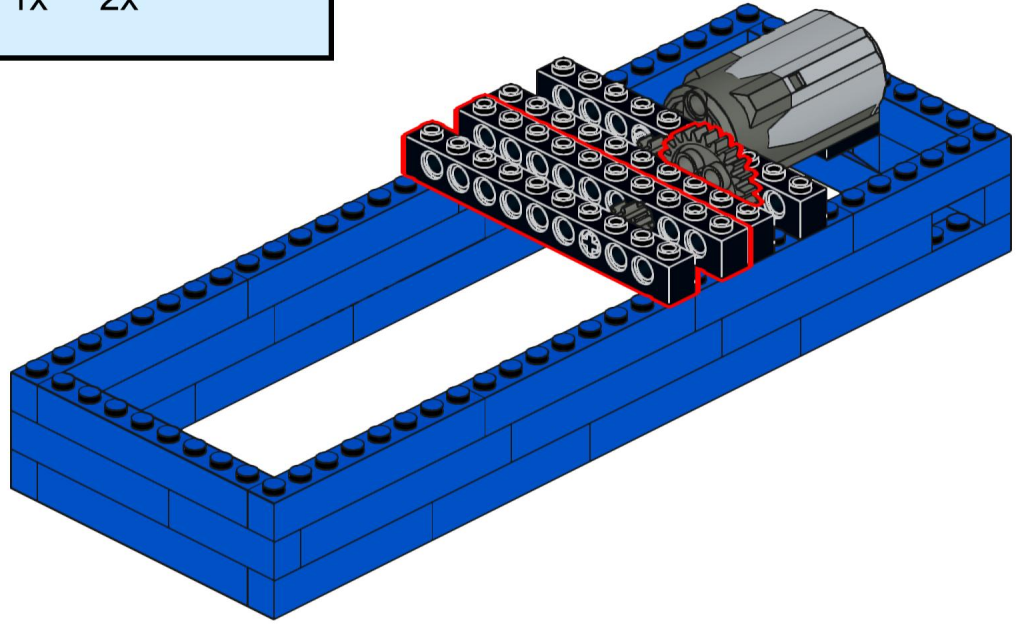
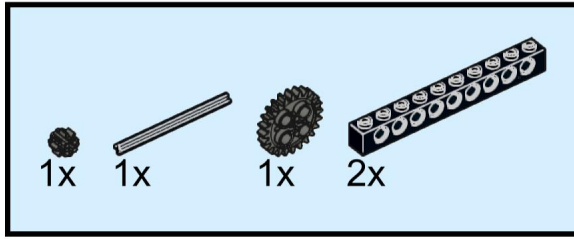
3



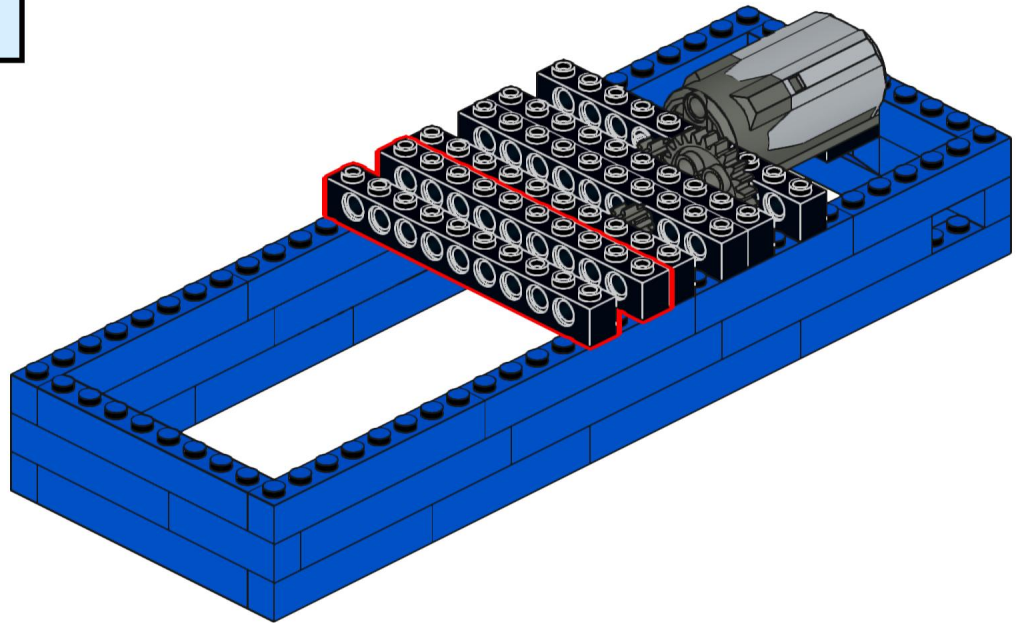
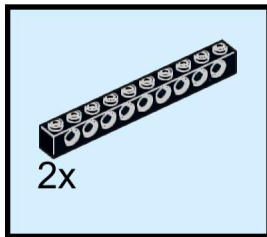
4



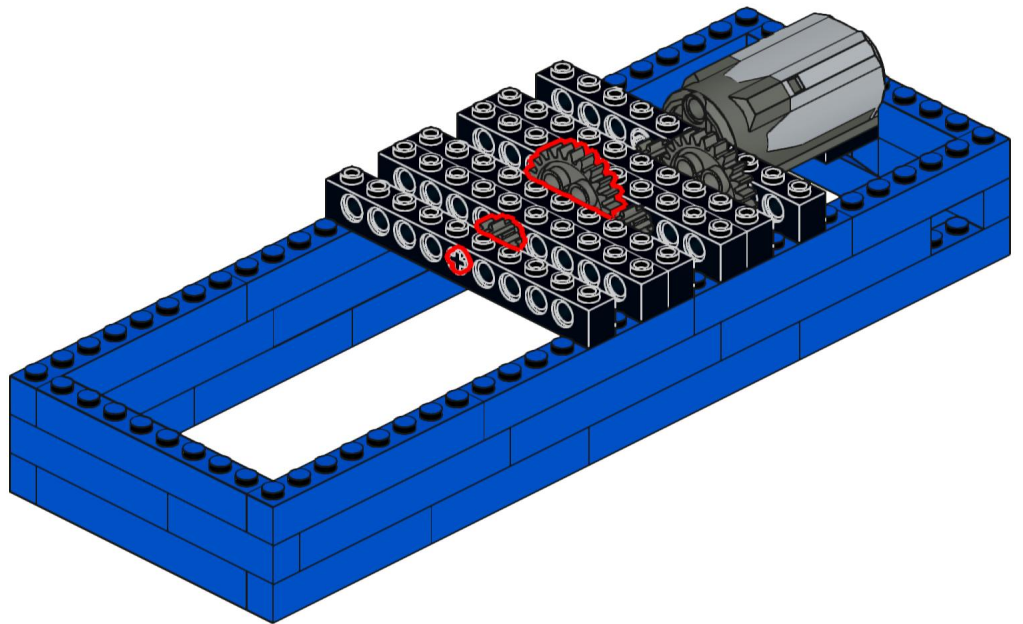
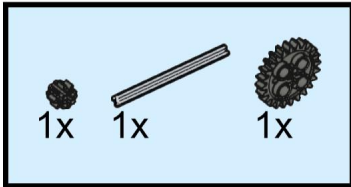
5



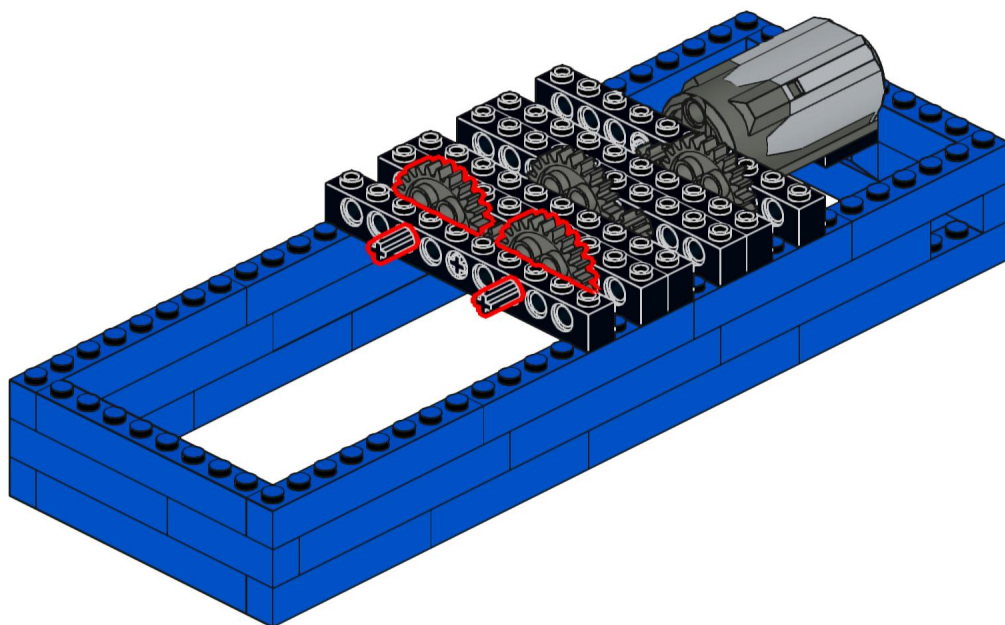
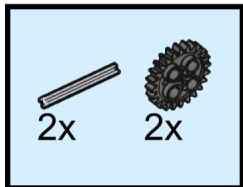
6



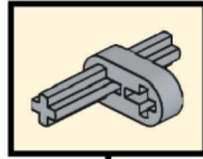
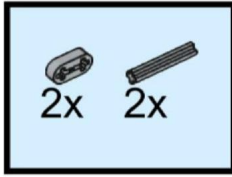
7



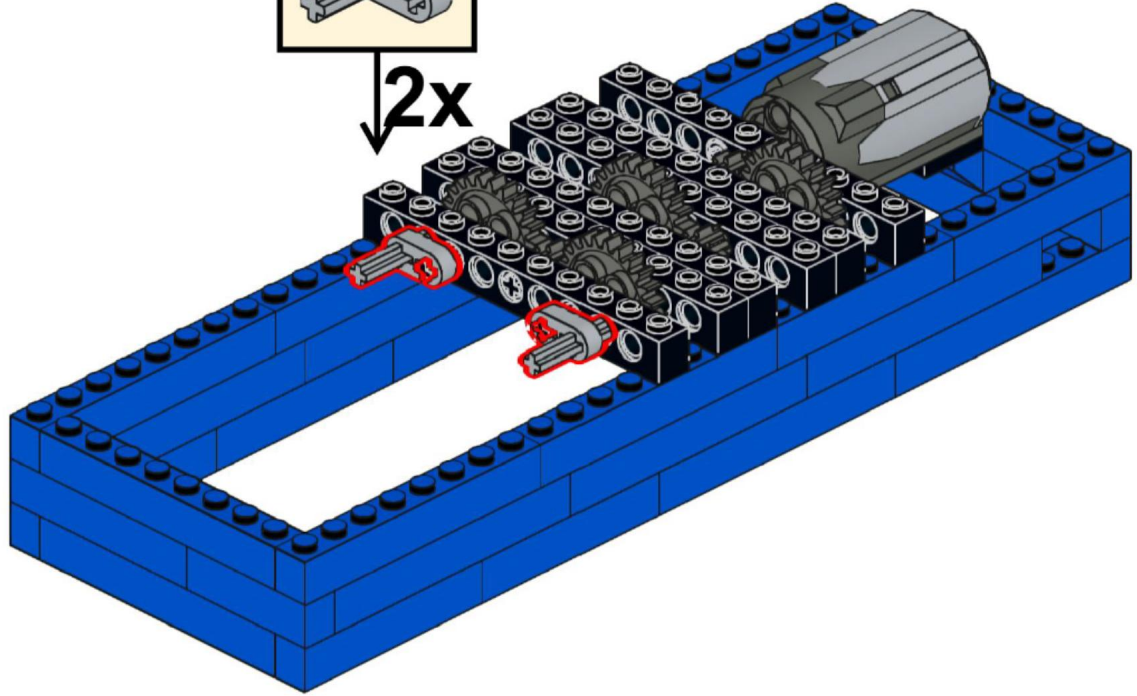
8



9



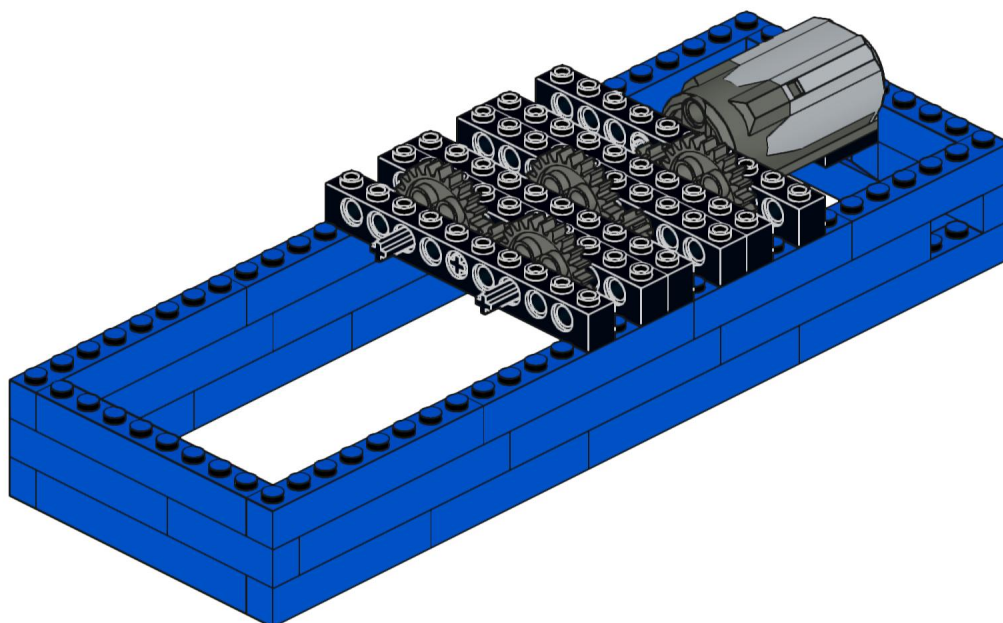
2x



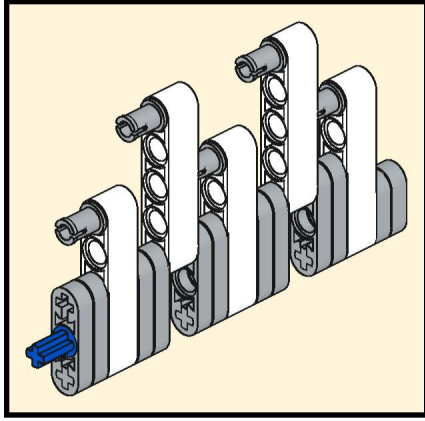
The 3L axles and 2L half thick beams shown here are jigs to align the gear timing. Once you have the assembly aligned so that both of the axles will go into the 10L black beam holes at the same time, then you need to remove the jigs before continuing assembly.

10

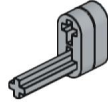
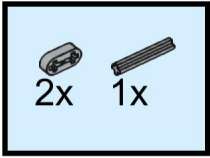
Jigs removed



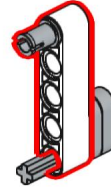
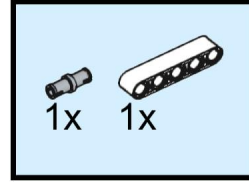
11



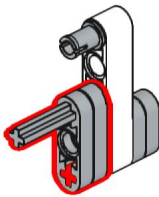
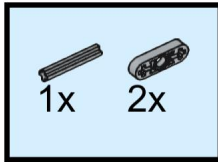
2x



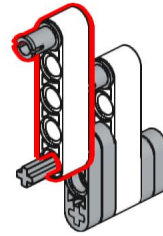
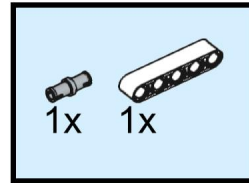
12



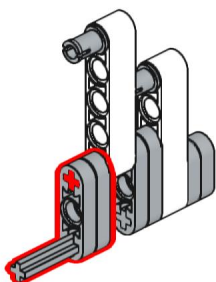
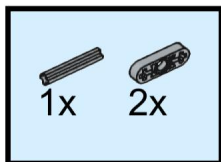
13



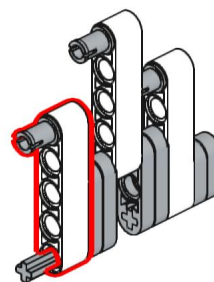
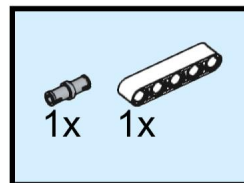
14



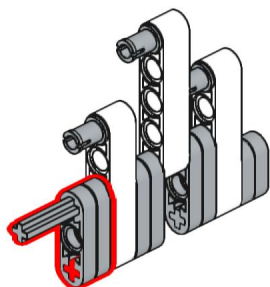
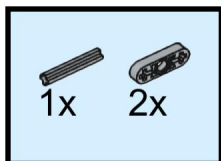
15



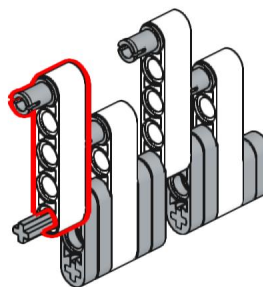
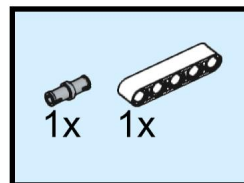
16



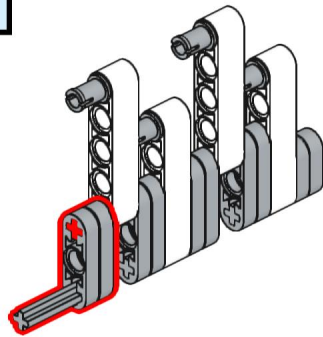
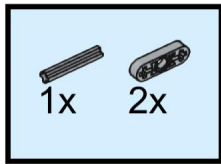
17



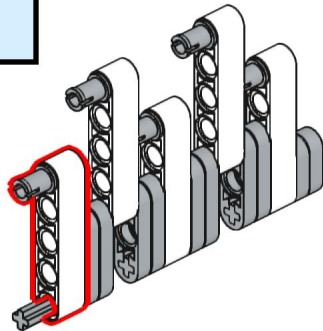
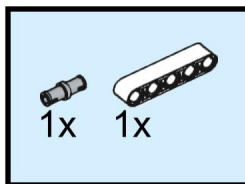
18



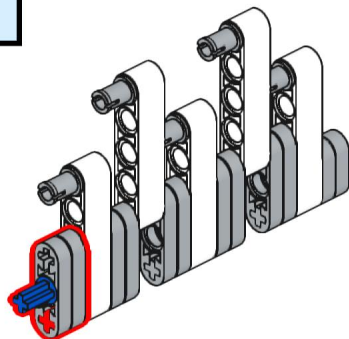
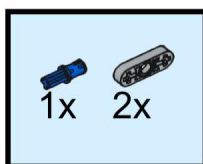
19



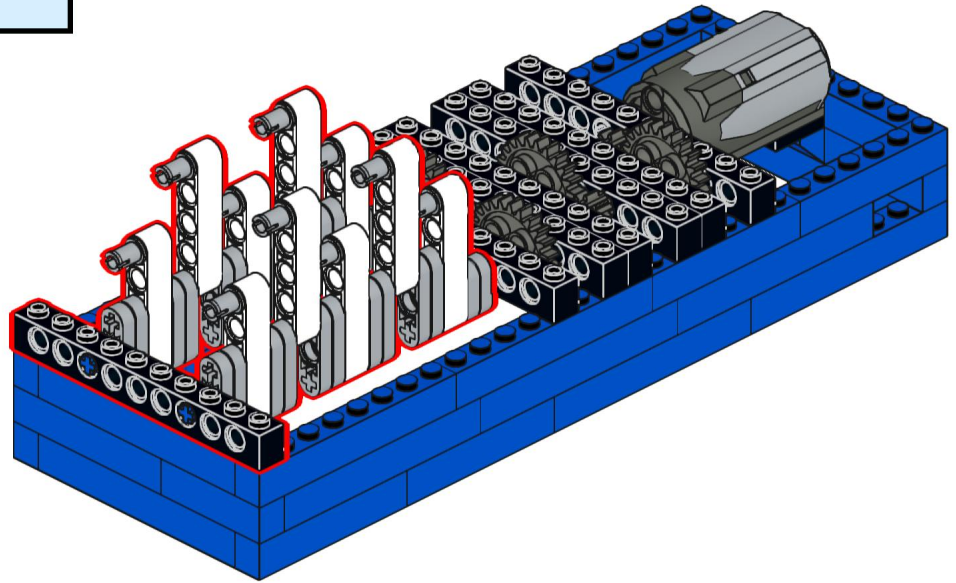
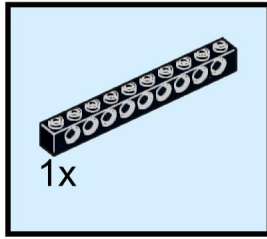
20



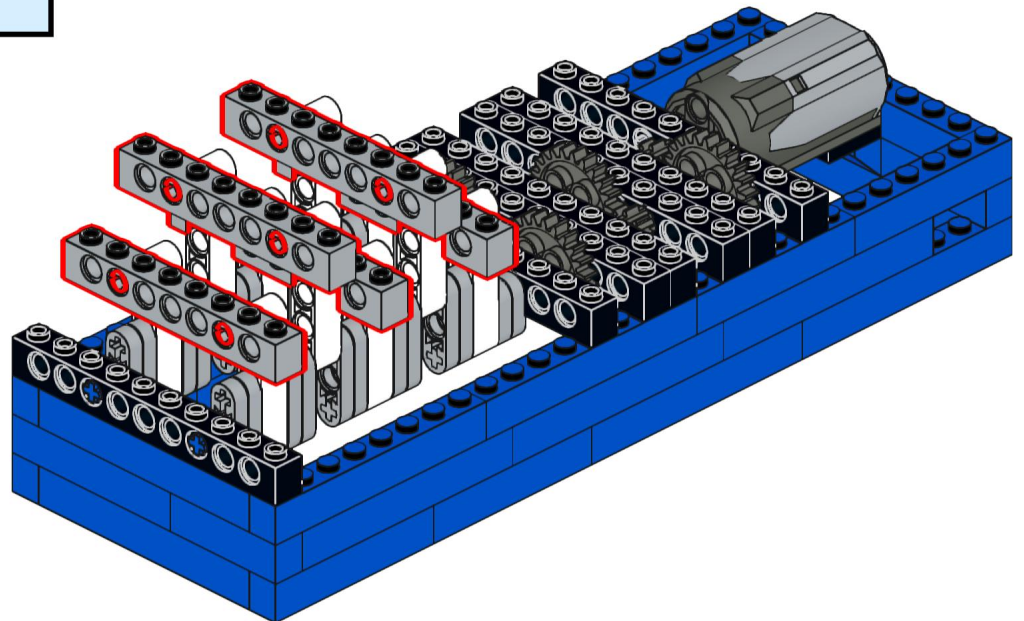
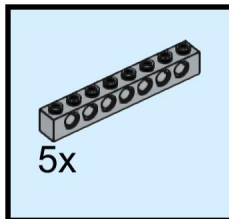
21



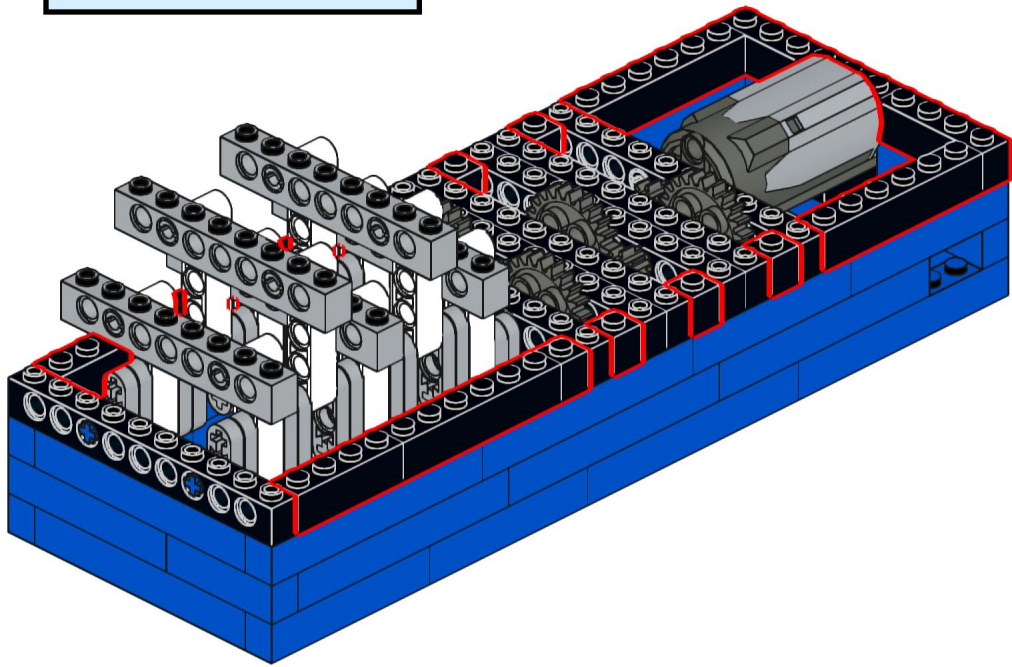
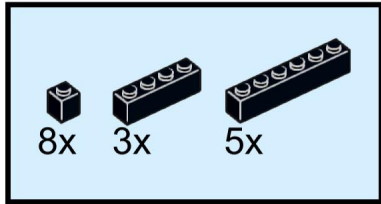
22



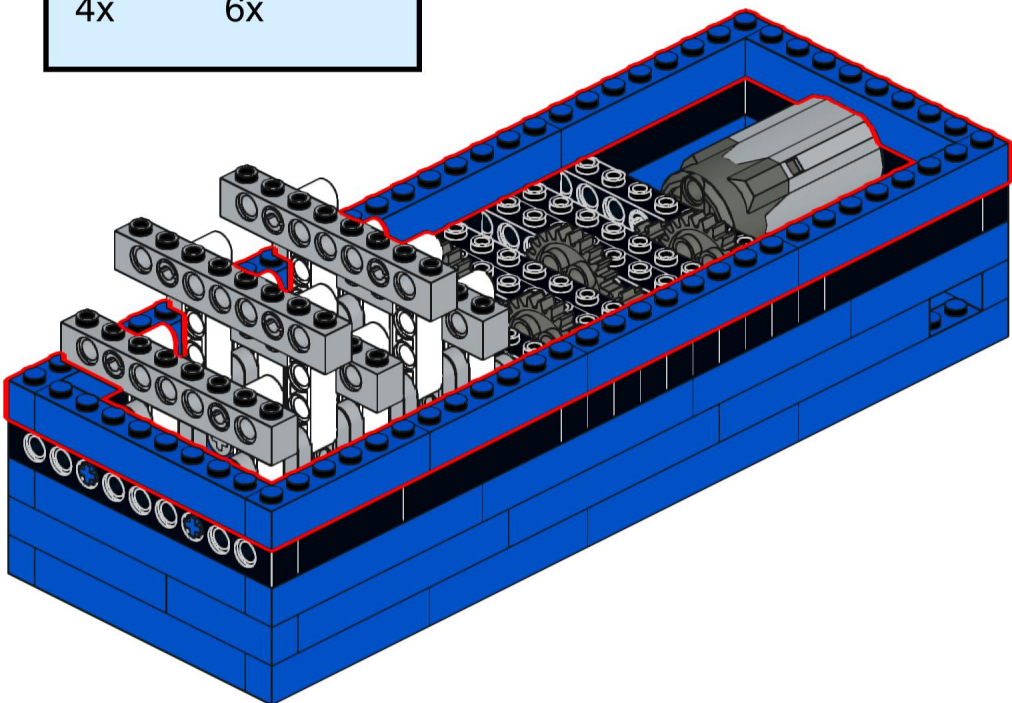
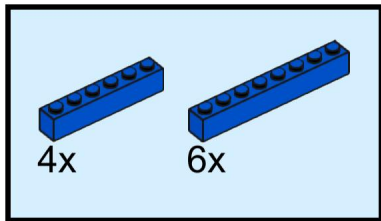
23



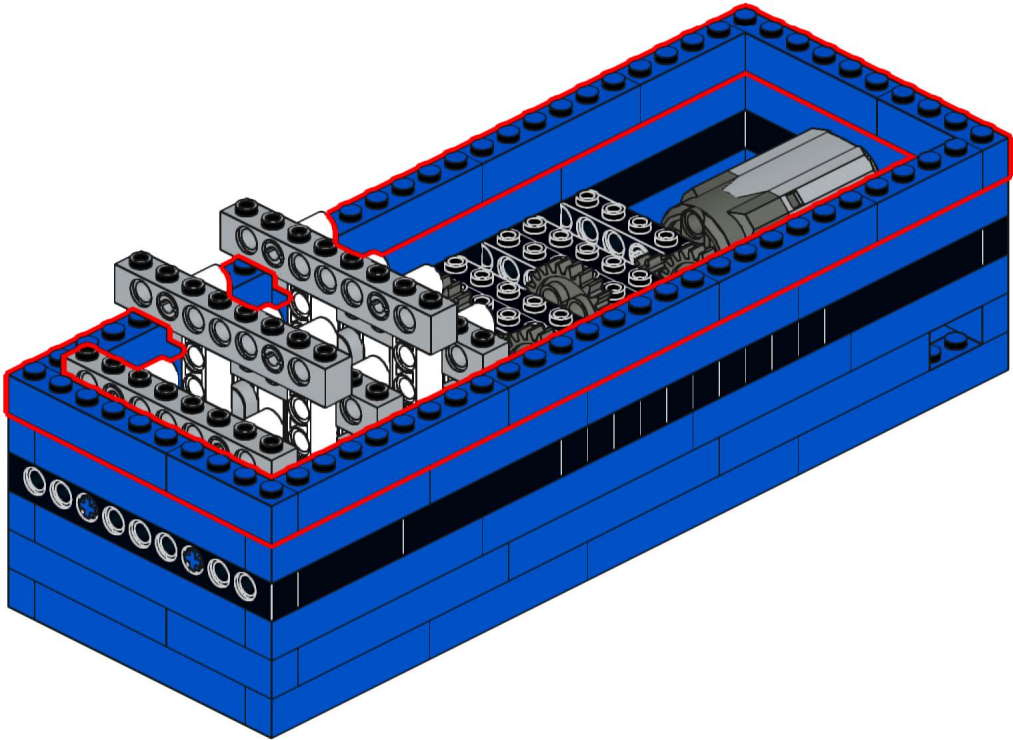
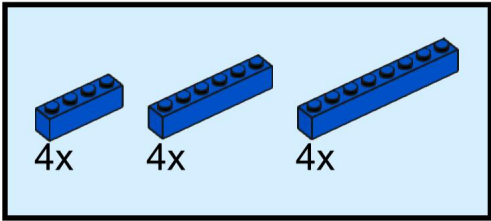
24



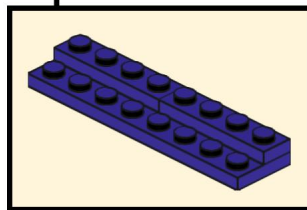
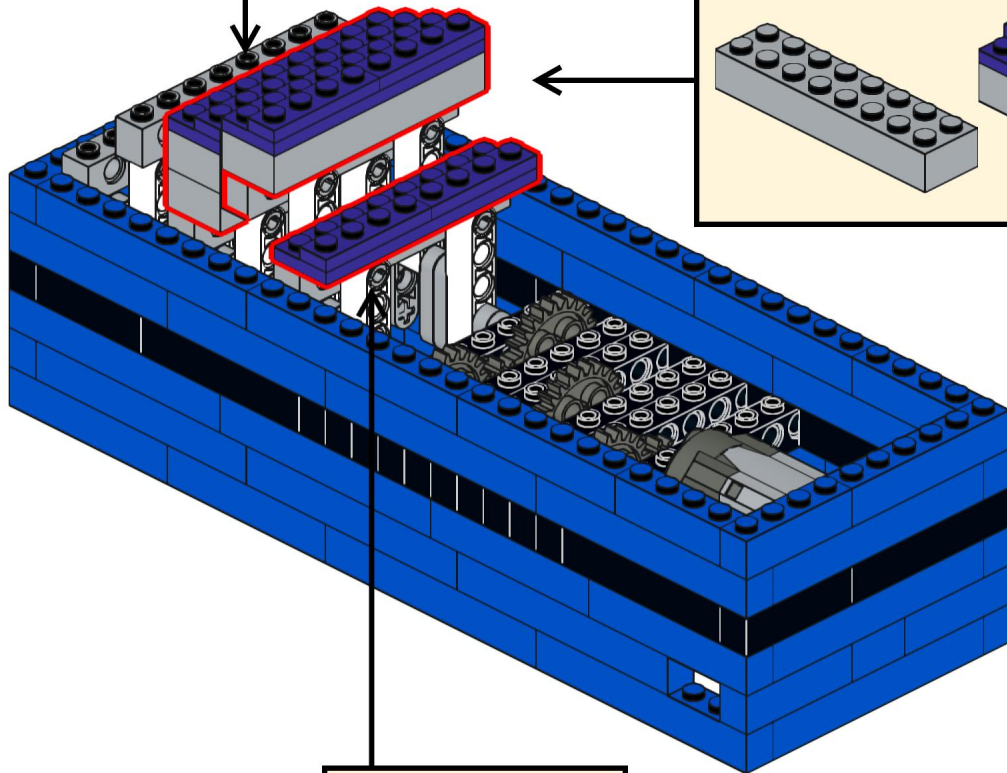
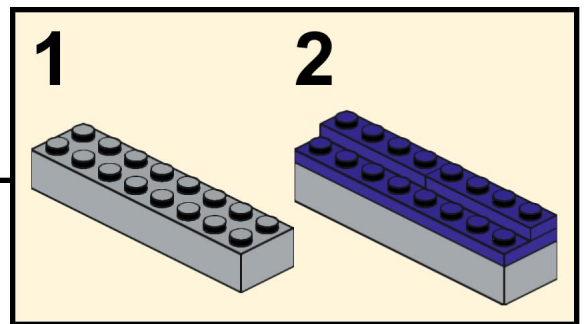
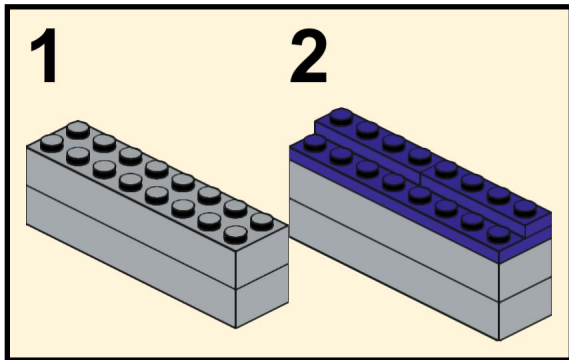
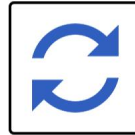
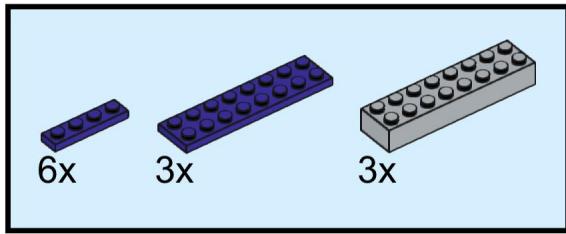
25



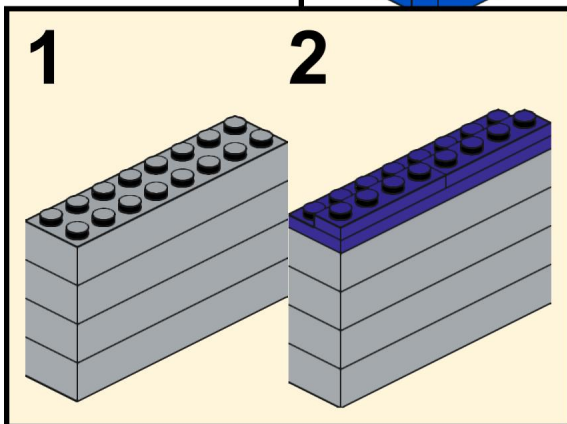
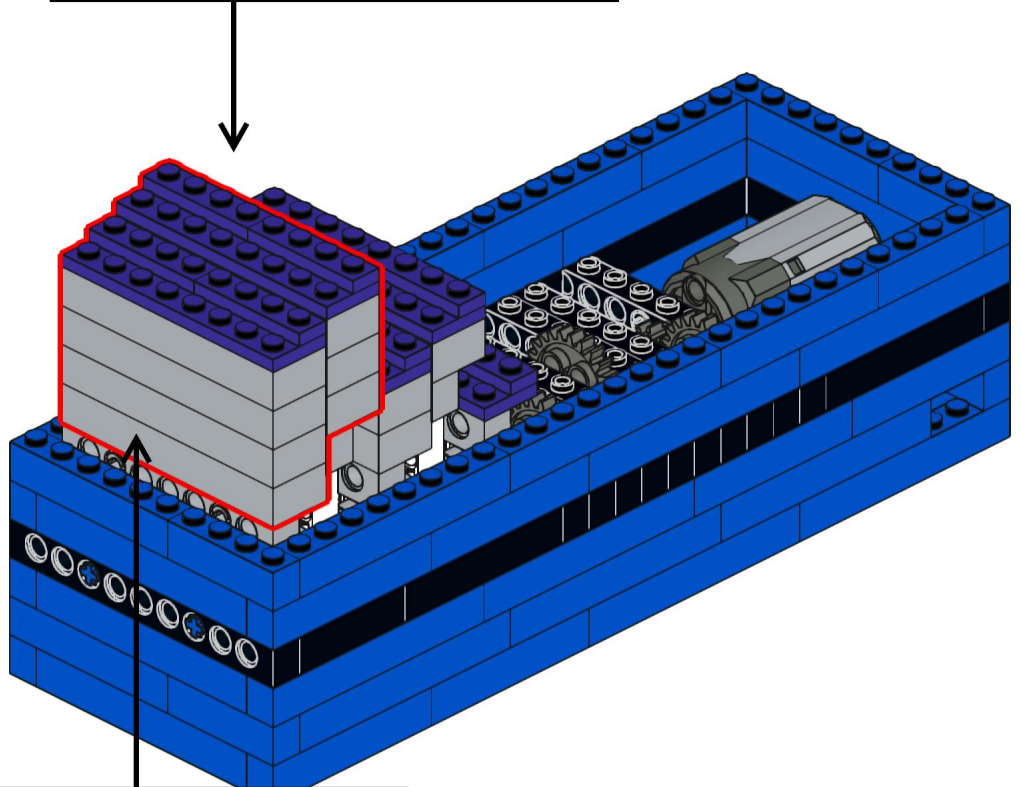
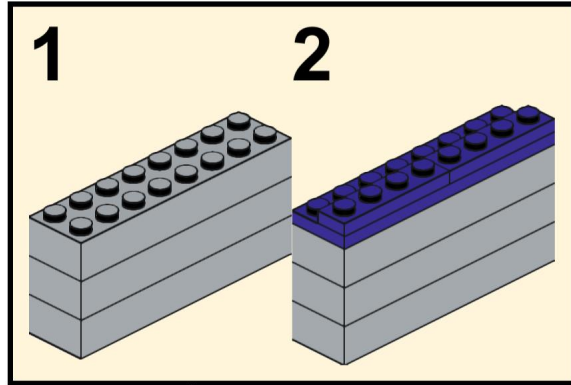
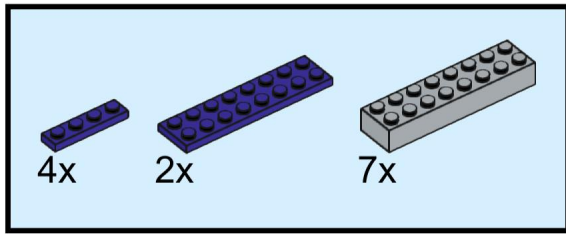
26



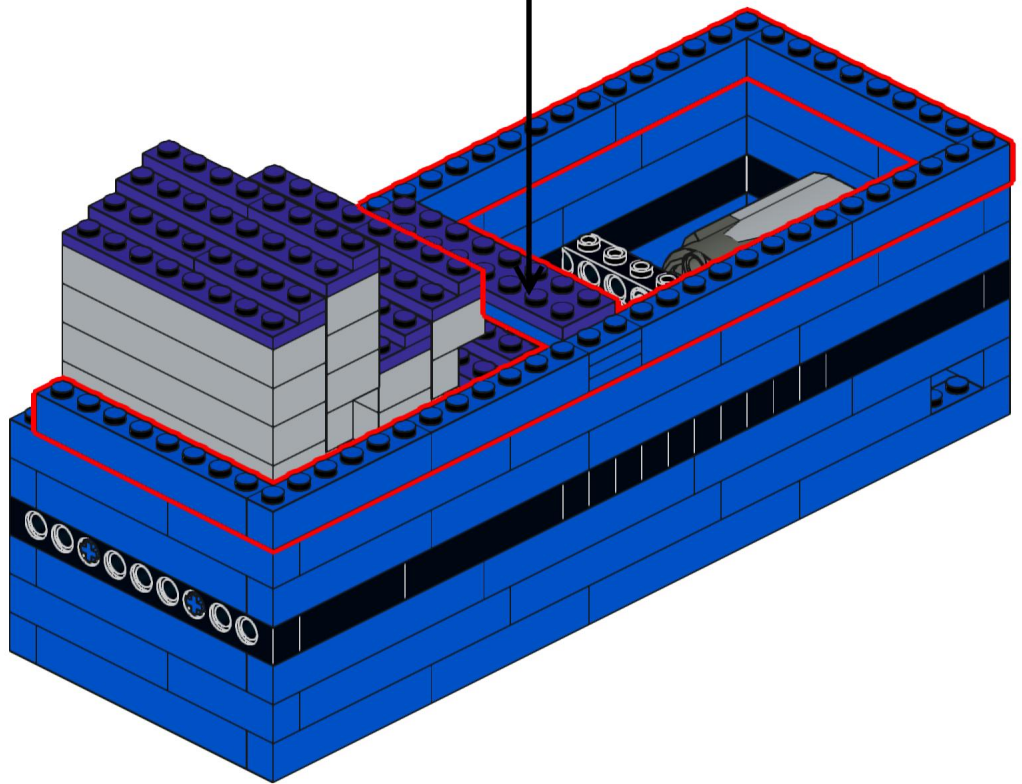
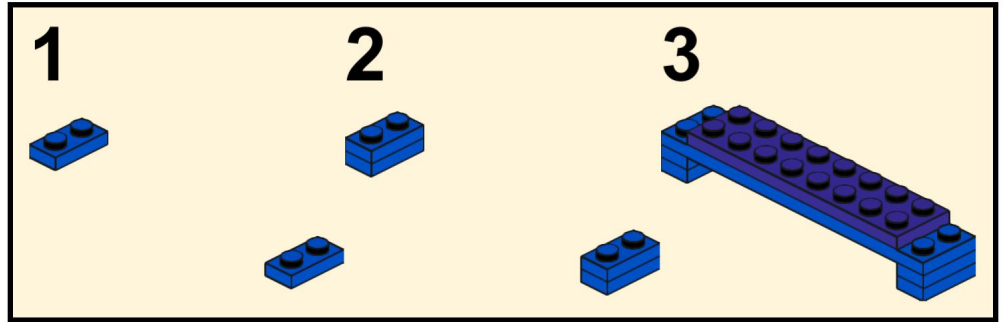
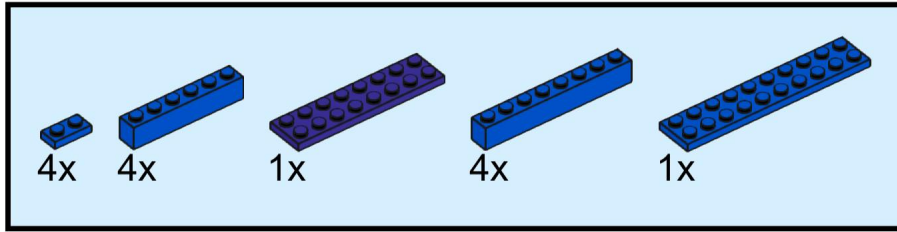
27



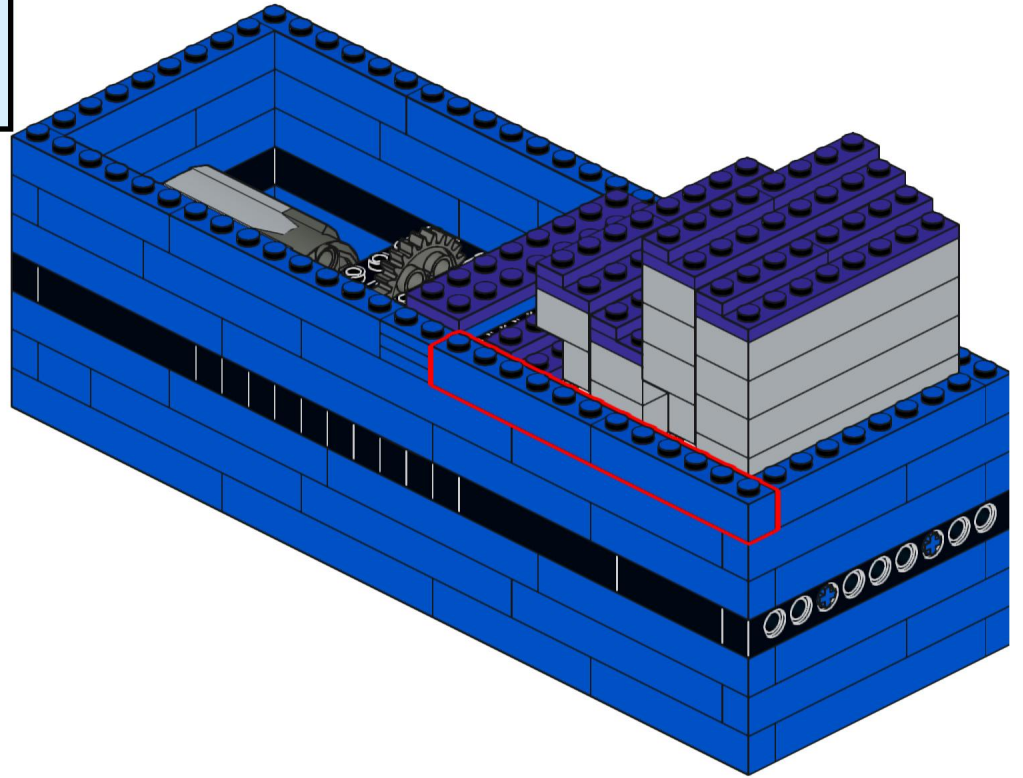
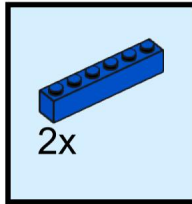
28



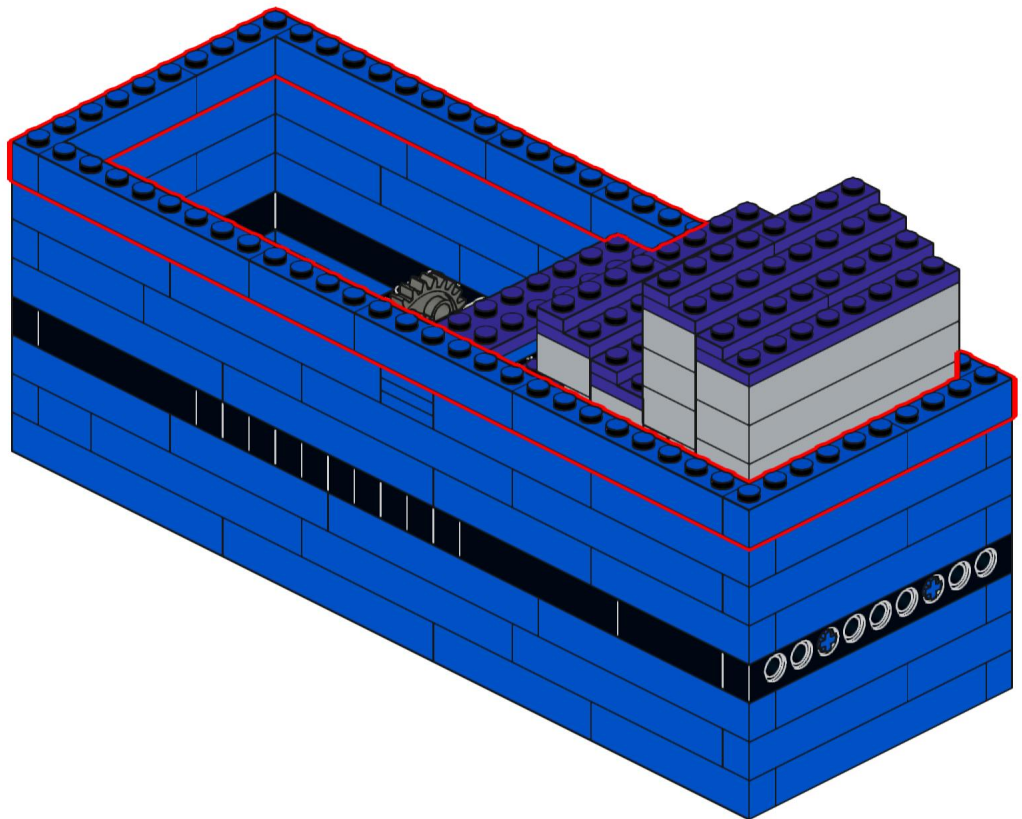
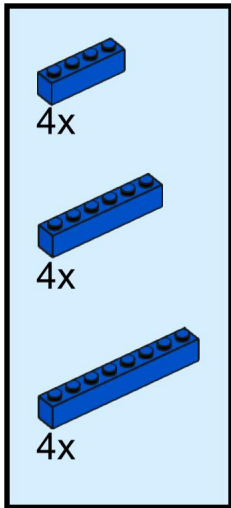
29



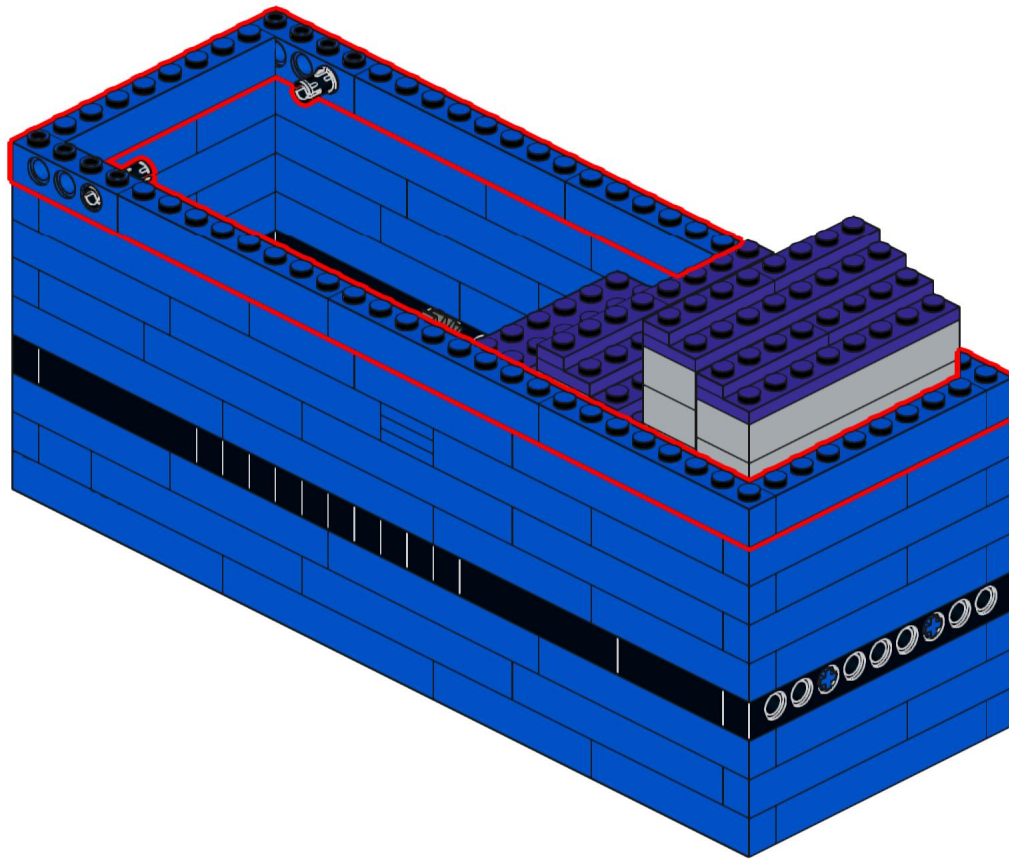
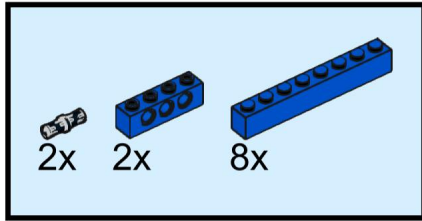
30



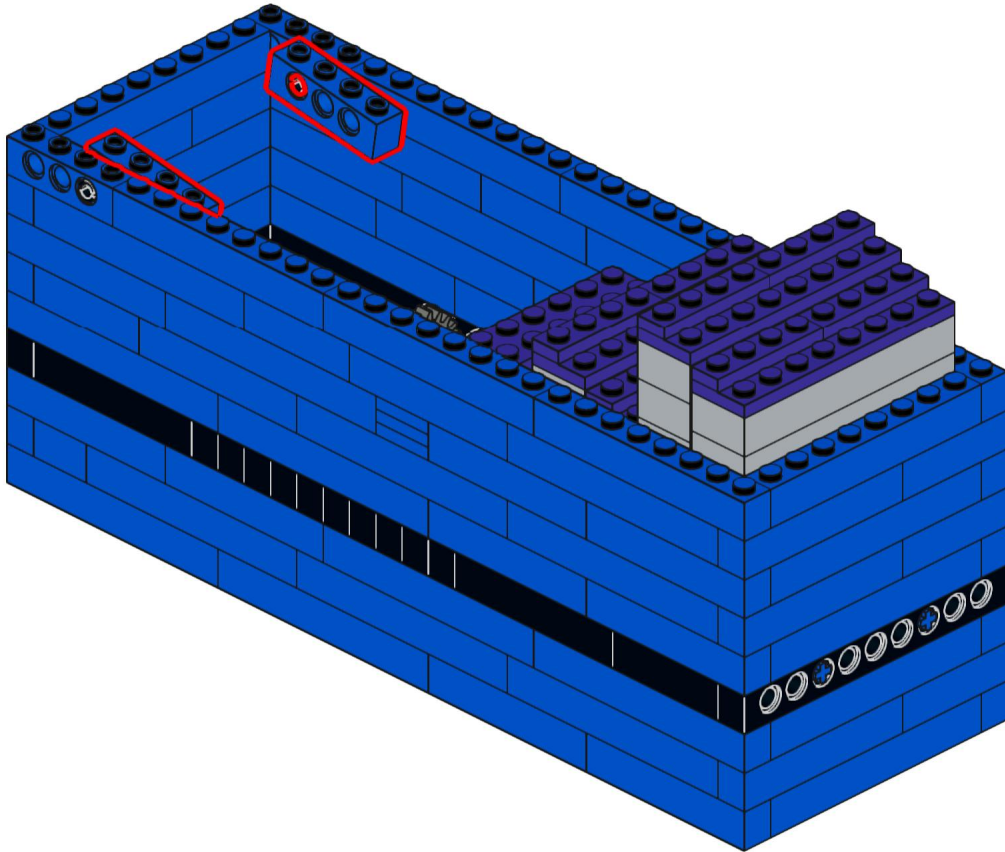
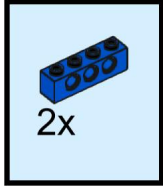
31



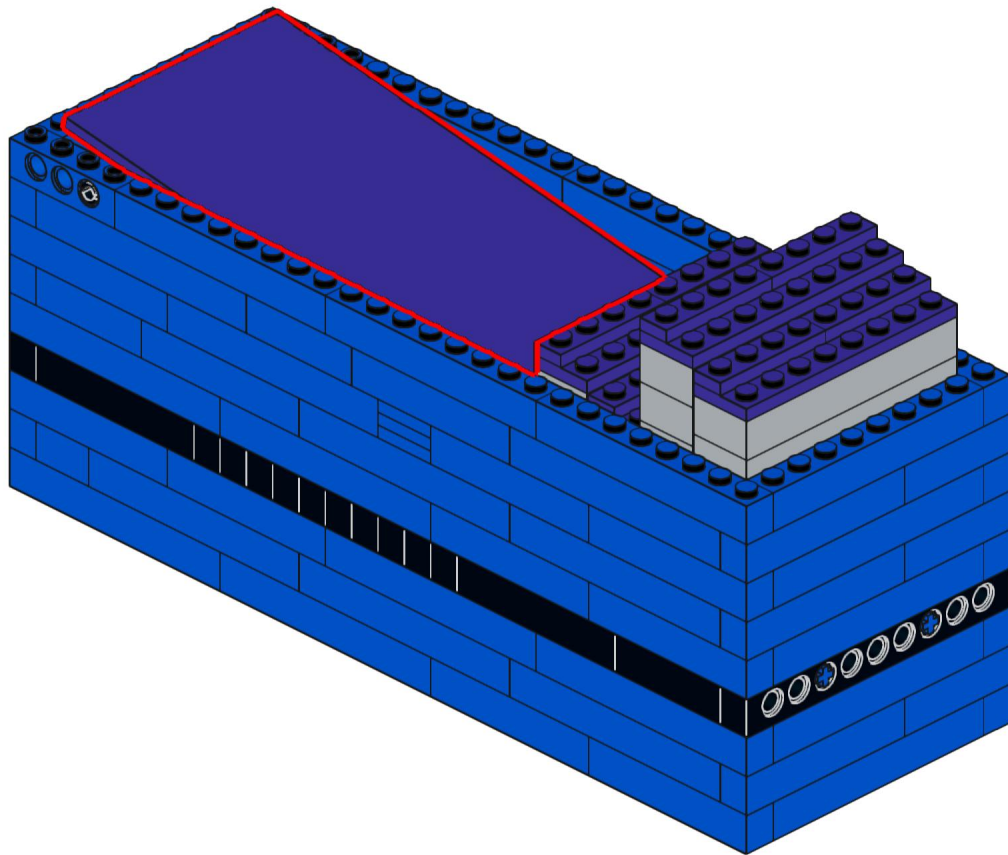
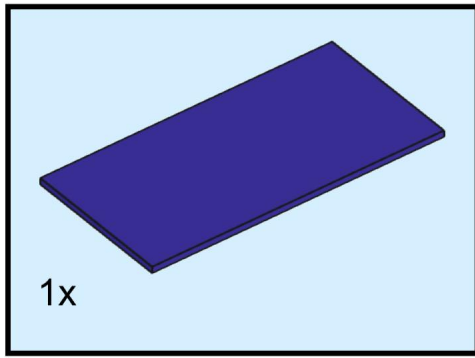
32



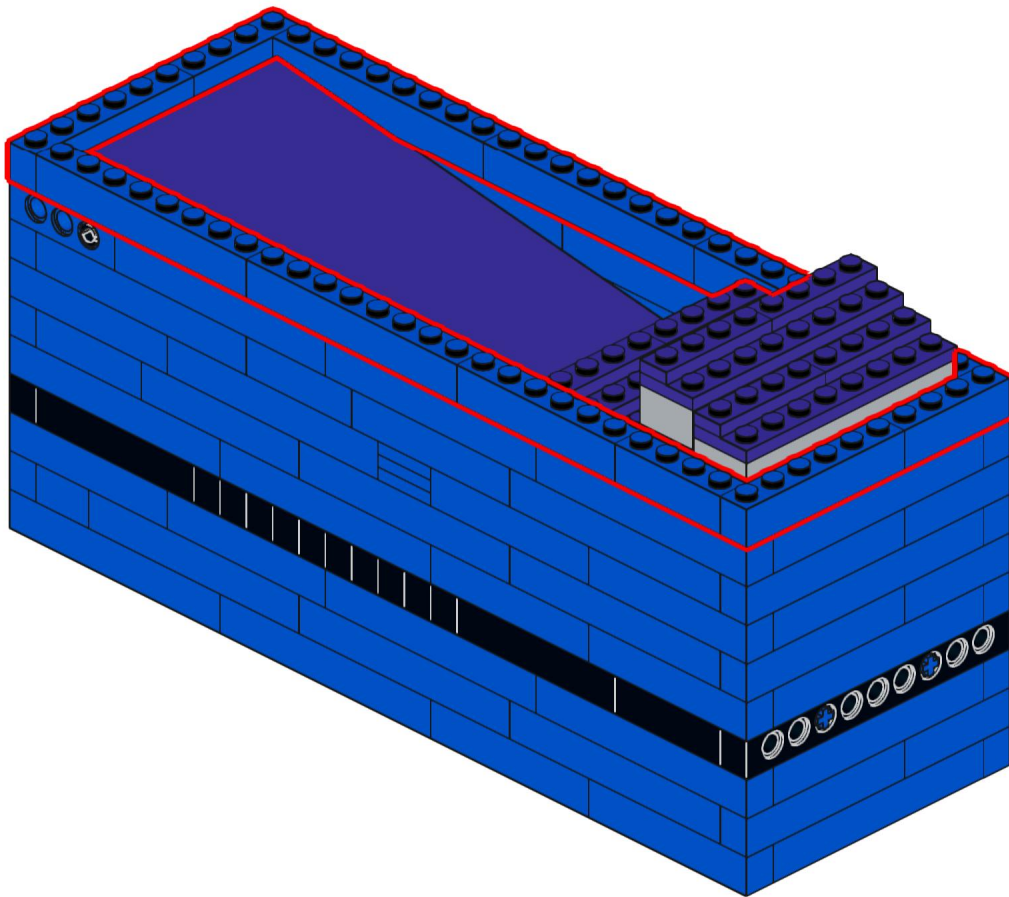
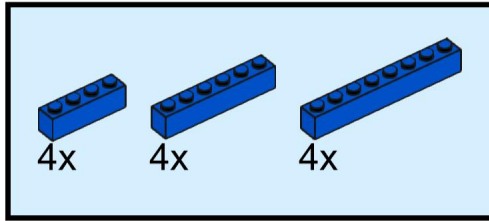
33



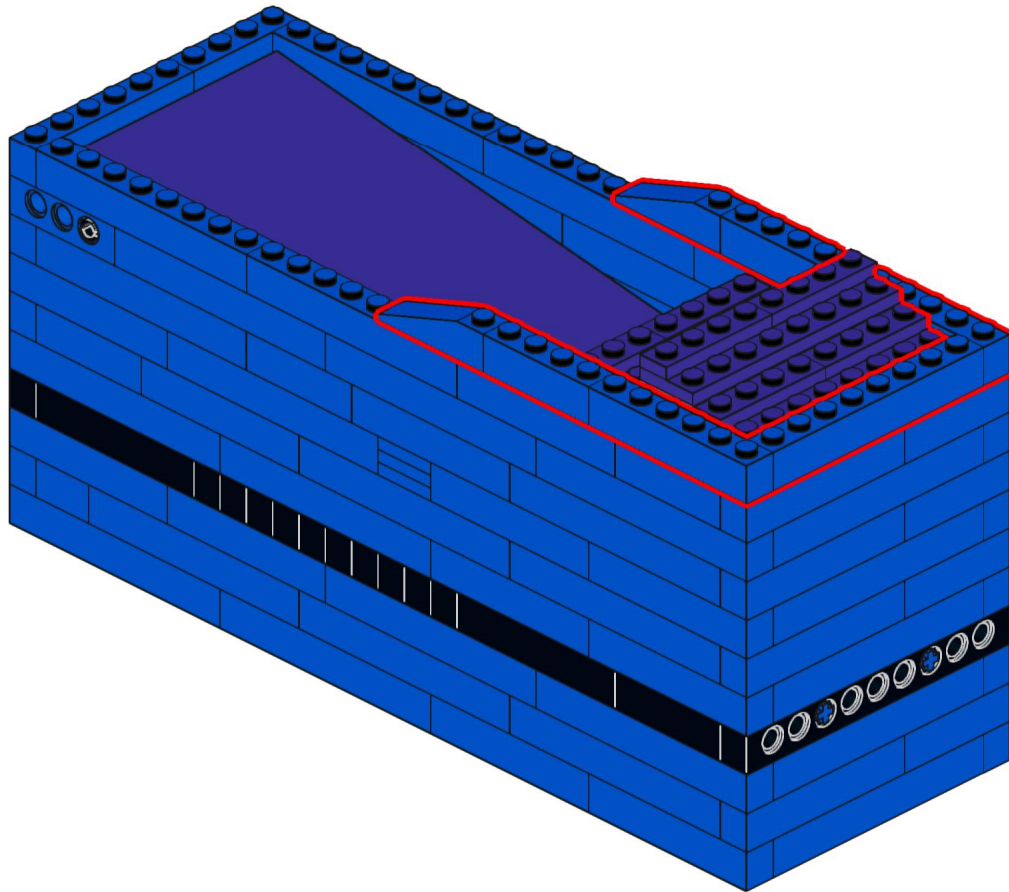
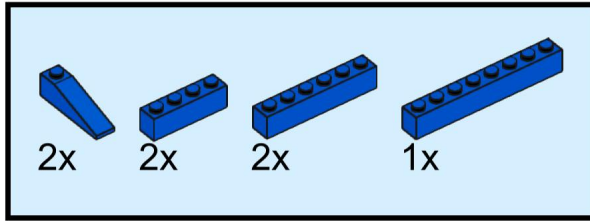
34



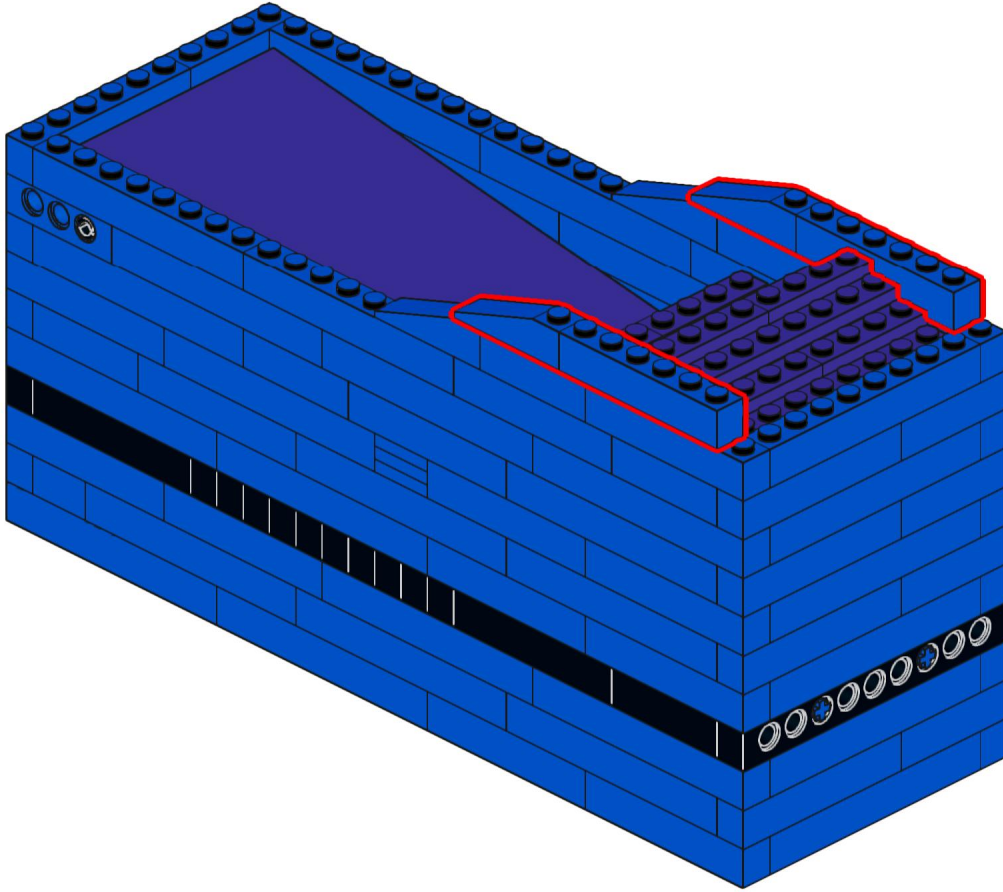
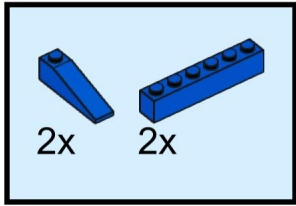
35



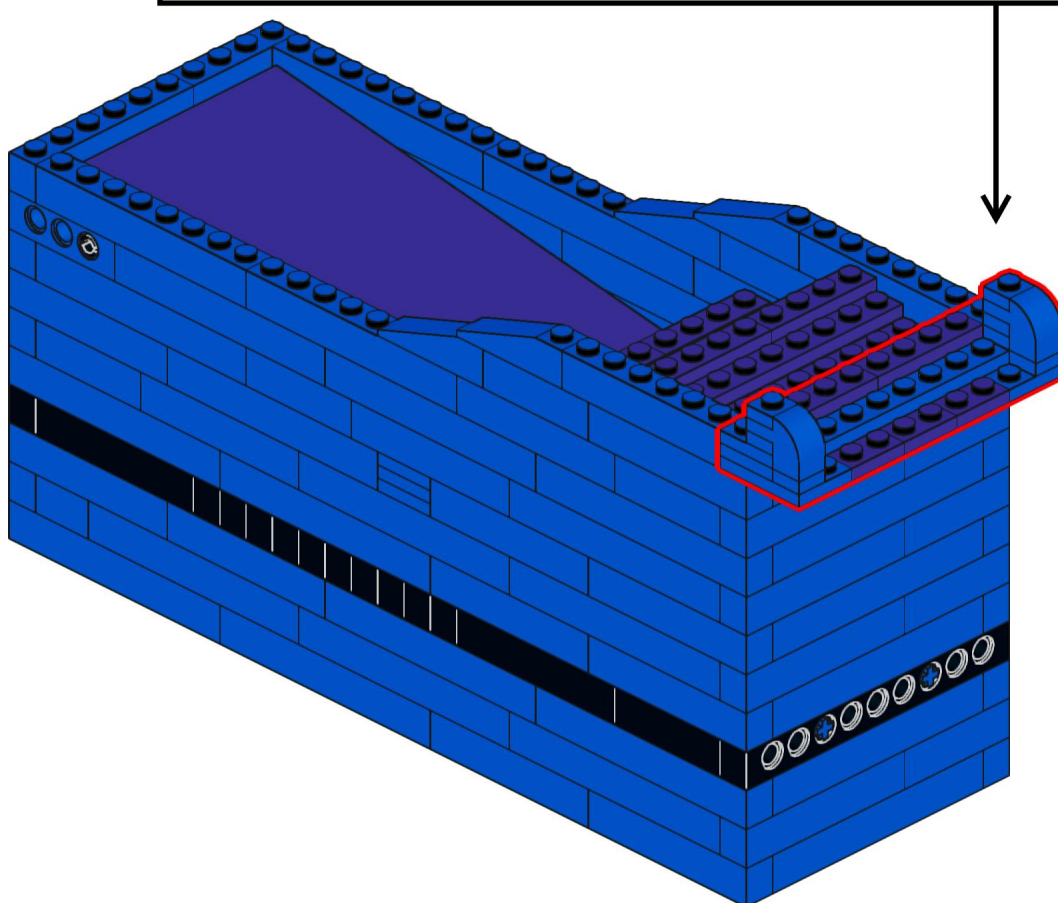
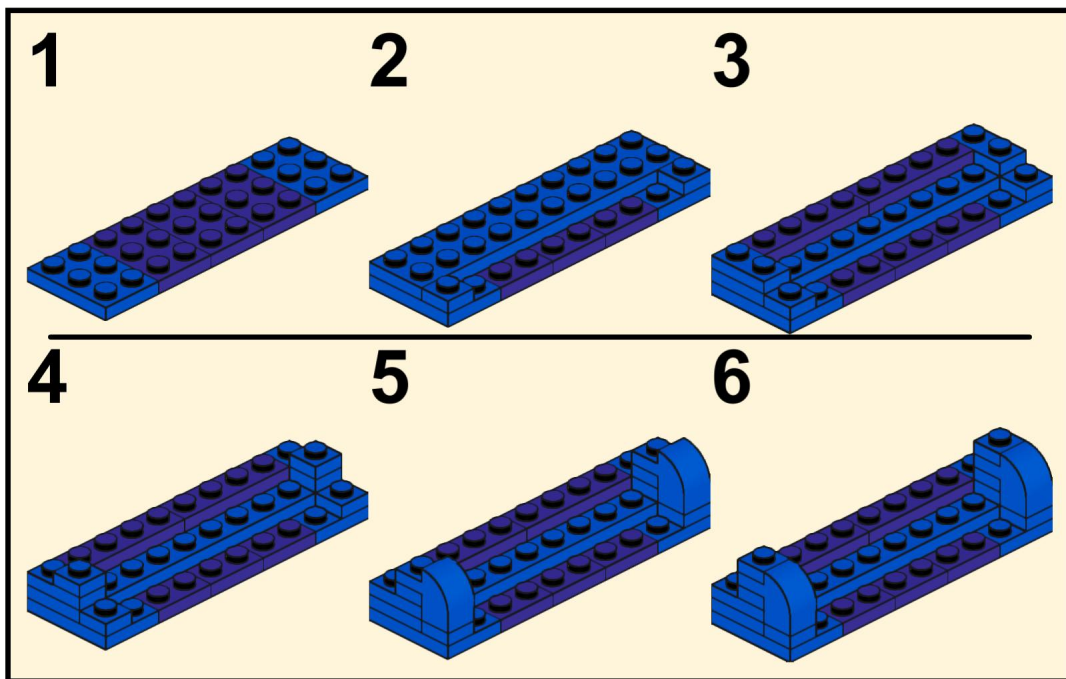
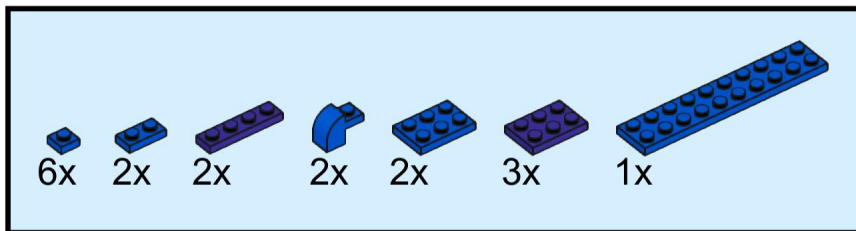
36



37



38



39

