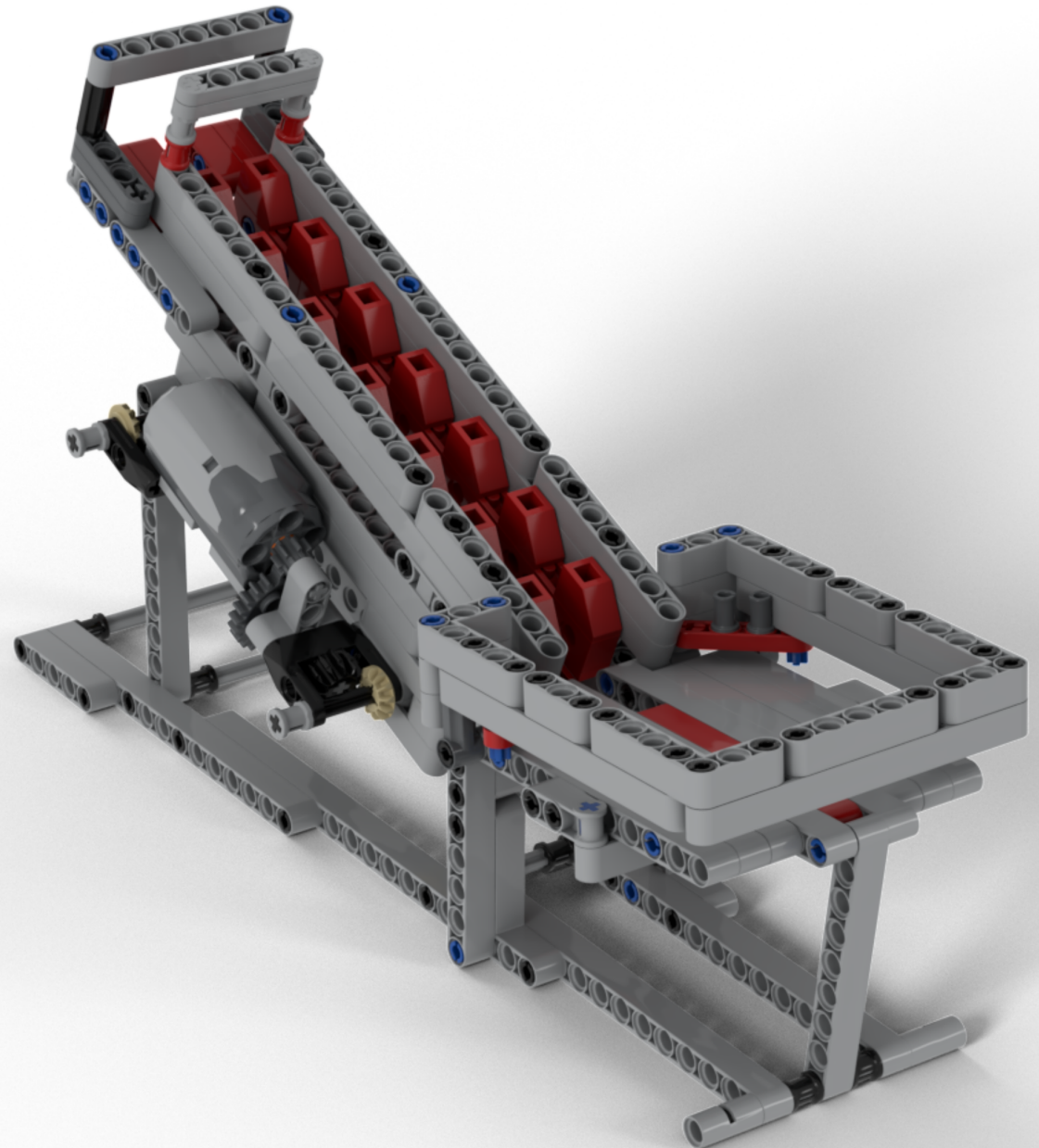


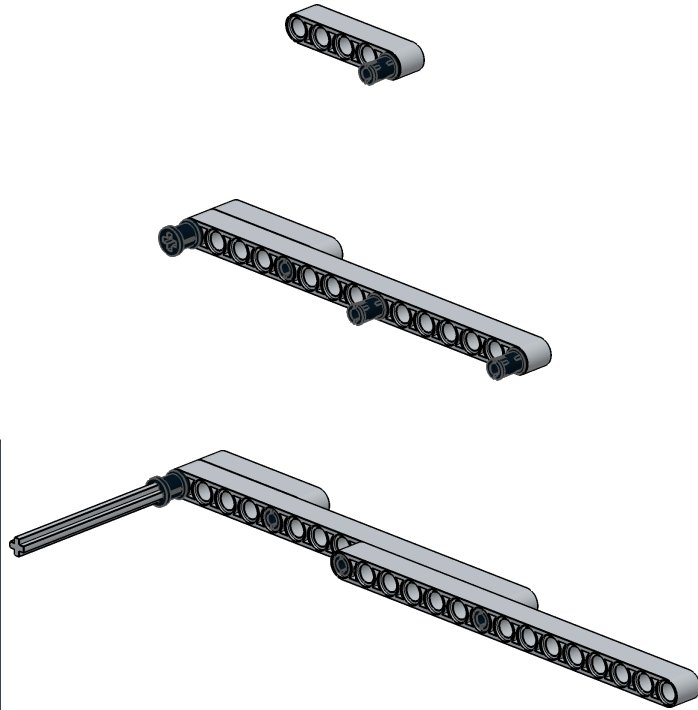
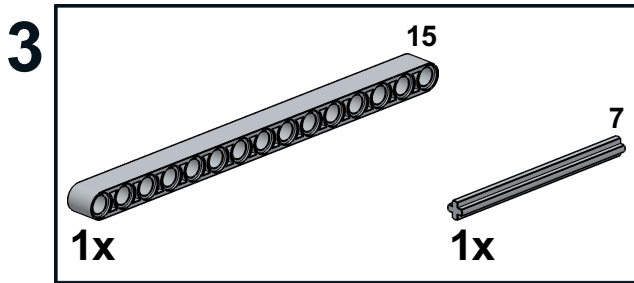
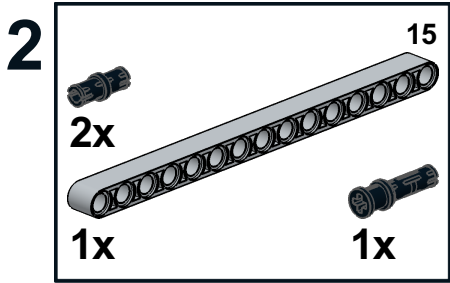
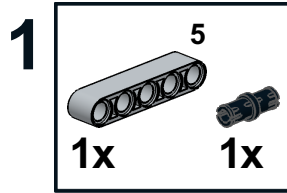
Brickworld[®]

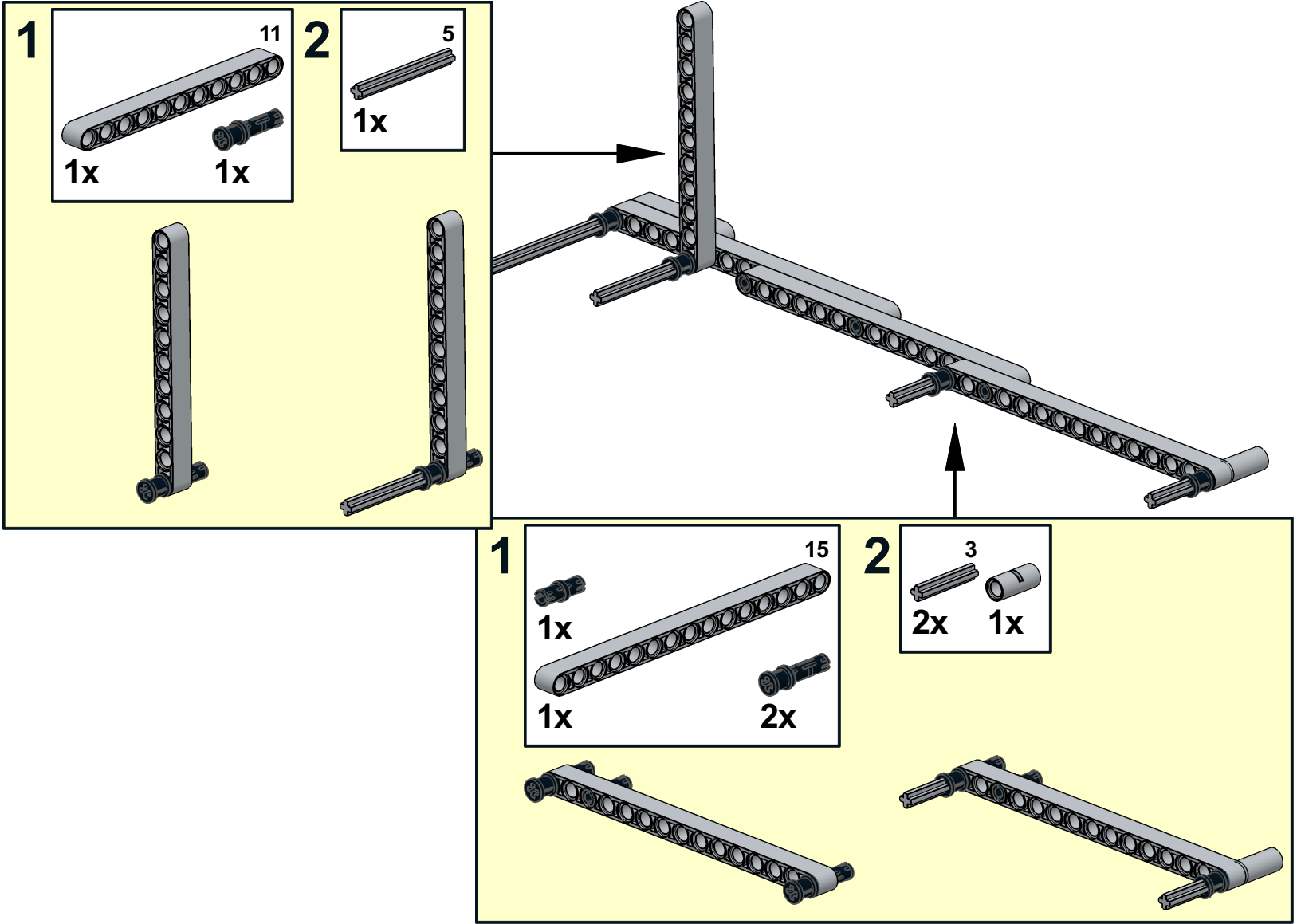
2019 GBC Workshop Kit
Instructions

Sawtooth

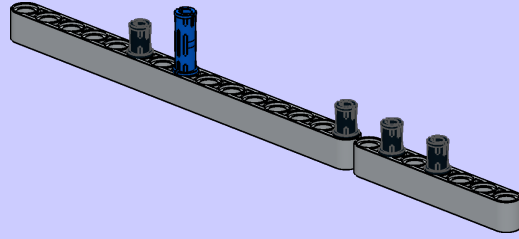
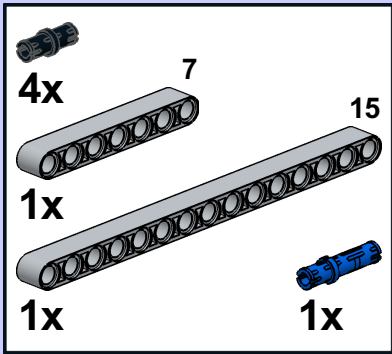
Designed by
John Brost



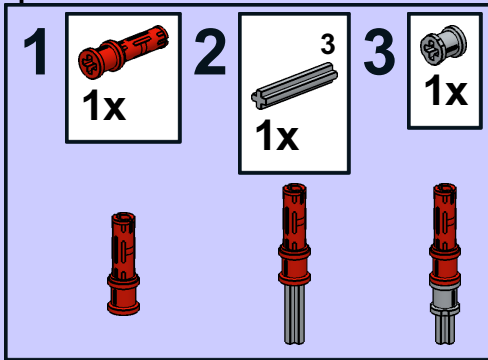
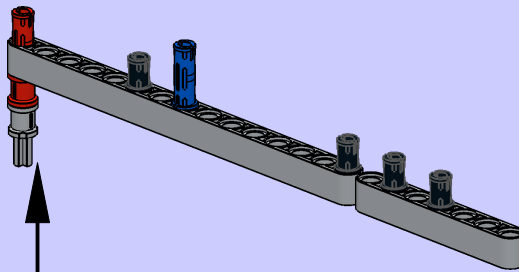




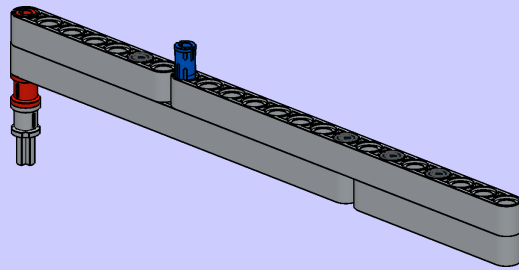
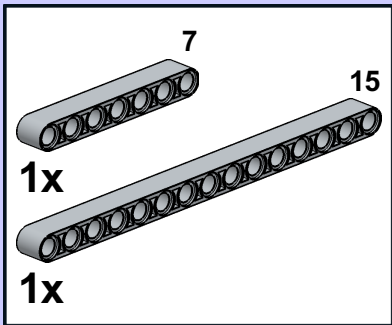
1



2

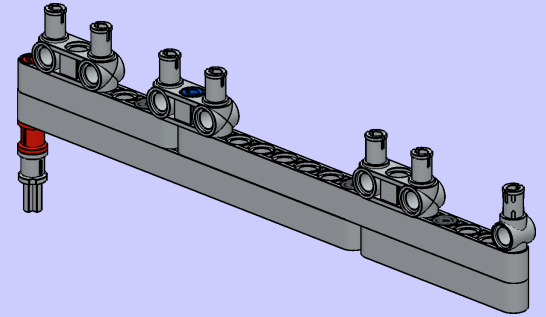
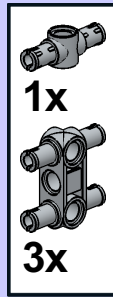


3

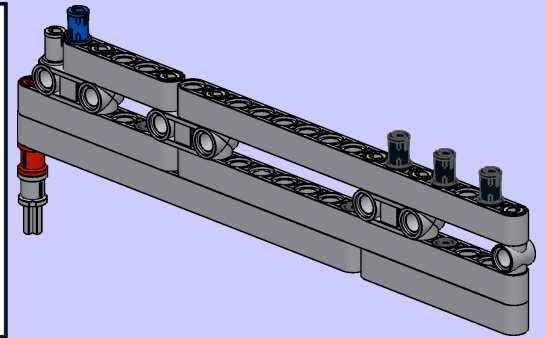
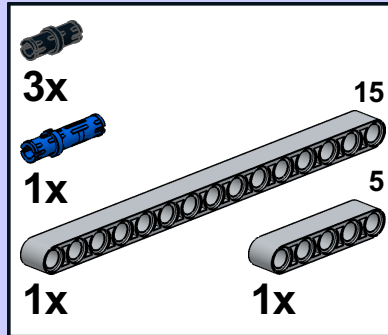


3

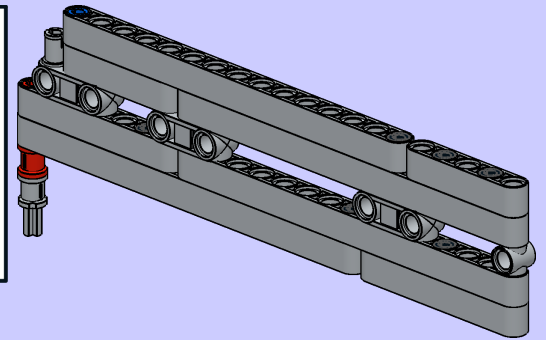
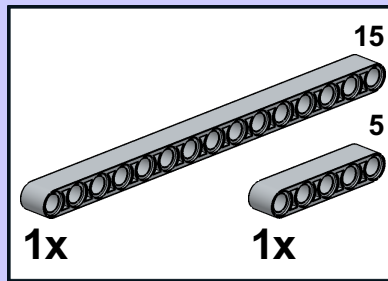
4



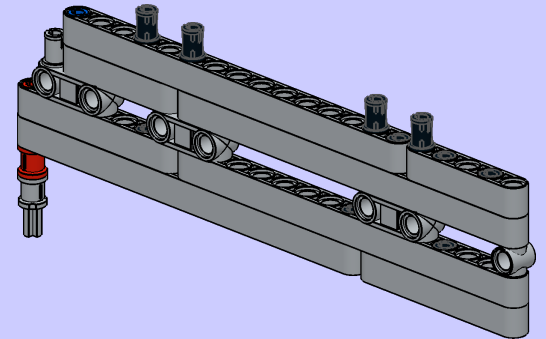
5

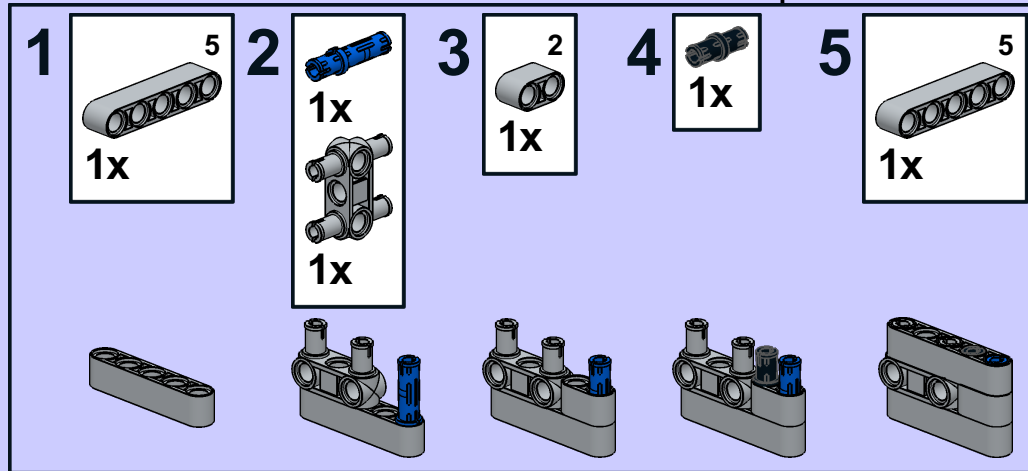
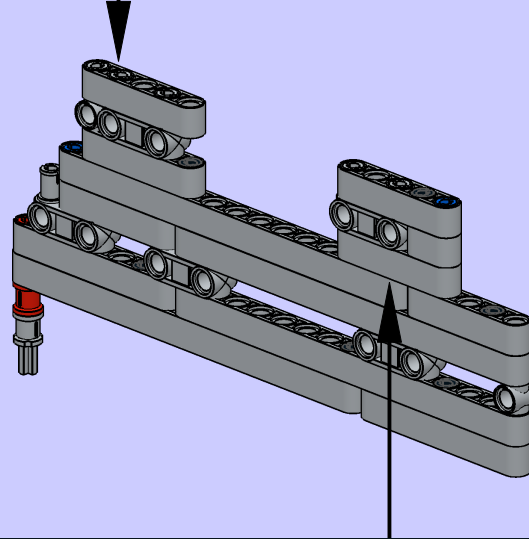
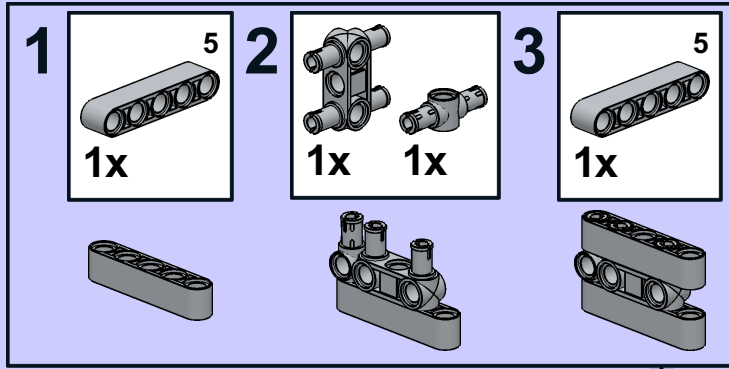


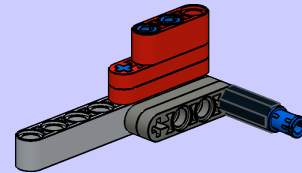
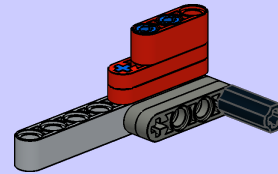
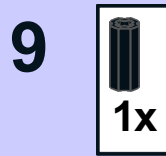
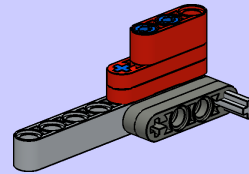
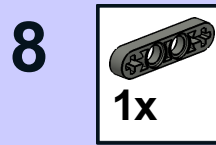
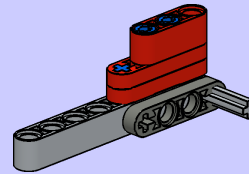
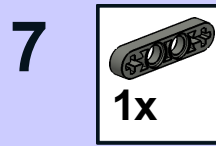
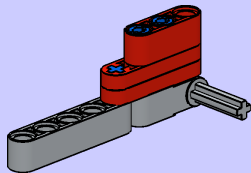
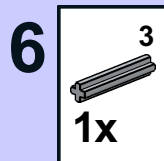
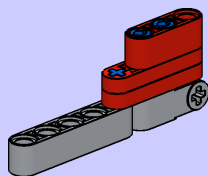
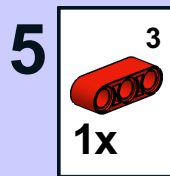
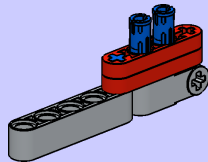
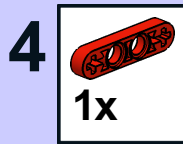
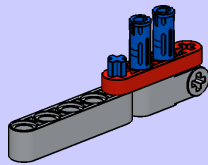
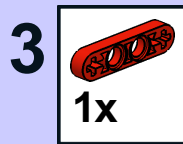
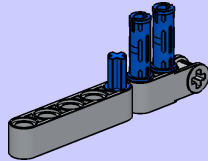
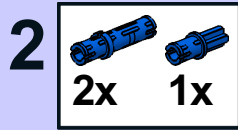
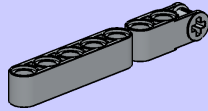
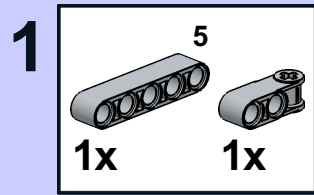
6





7

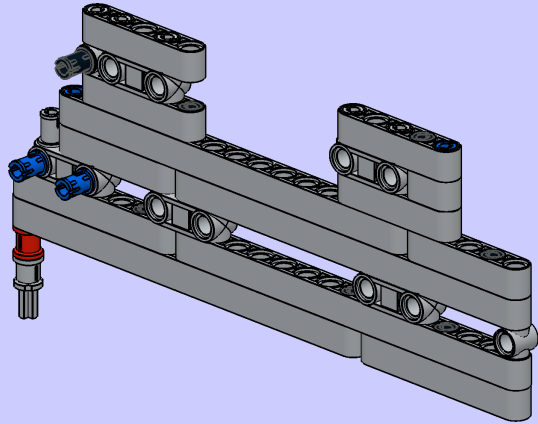




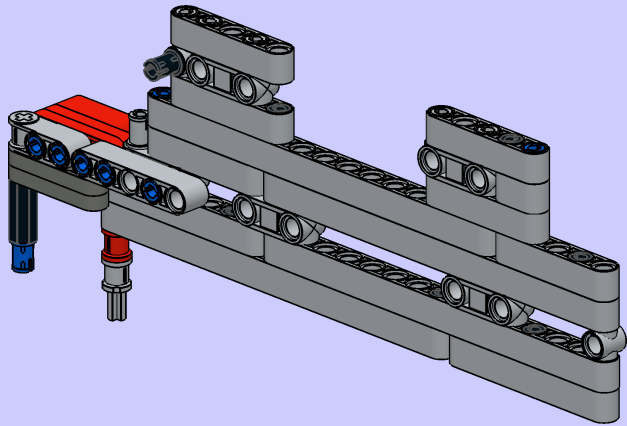


9

- 1x 
- 2x 

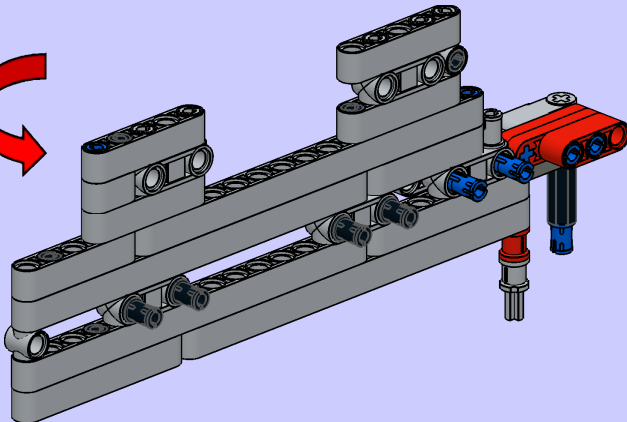


10

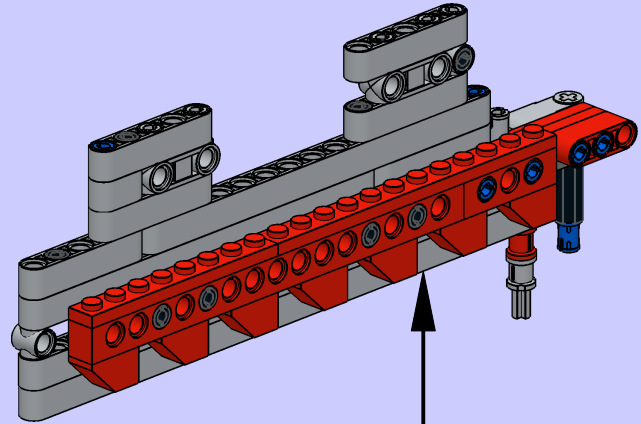


11

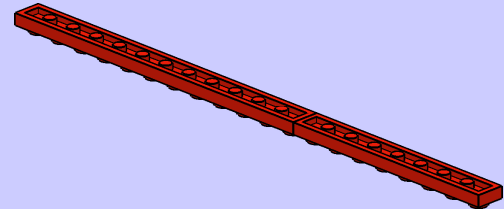
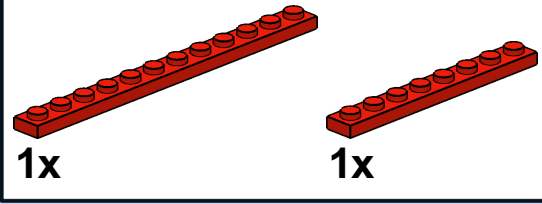
- 4x 



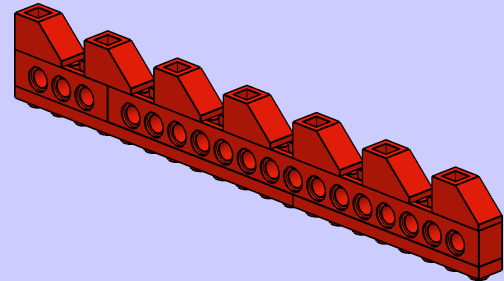
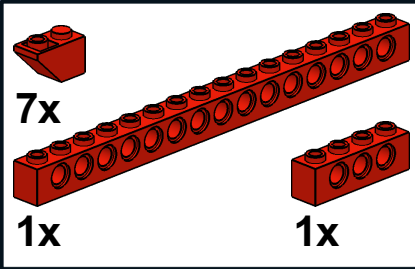
12



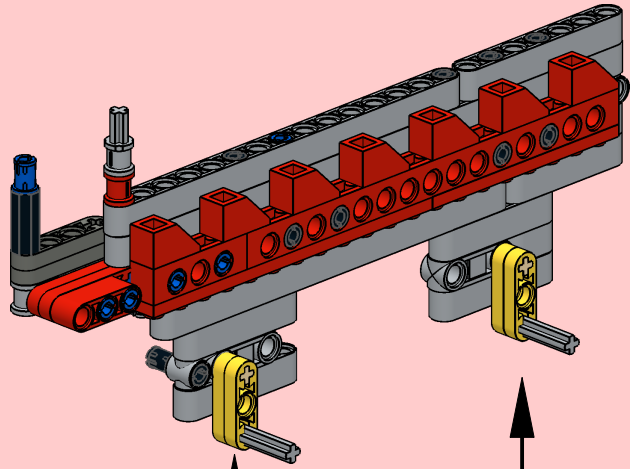
1



2

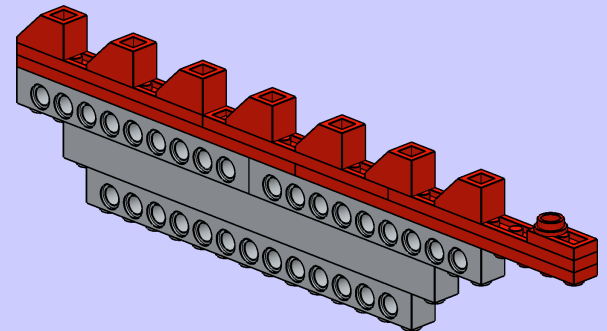
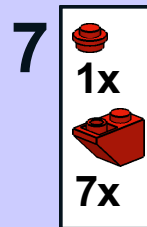
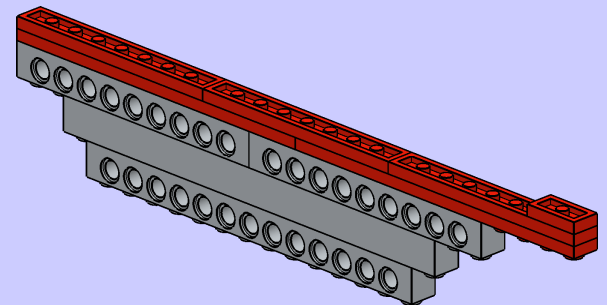
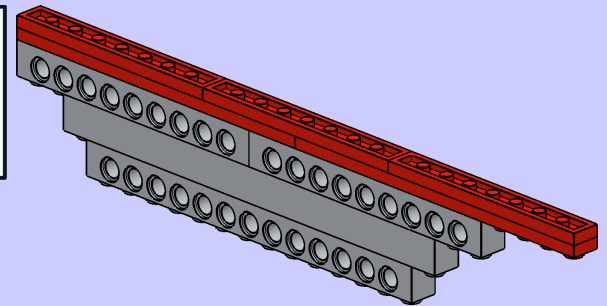
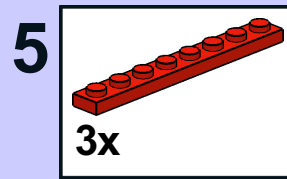
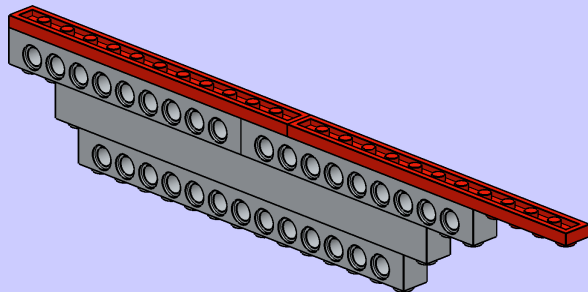
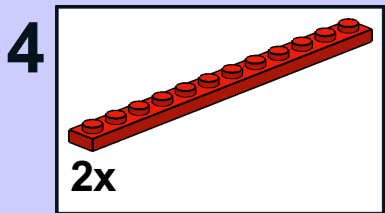
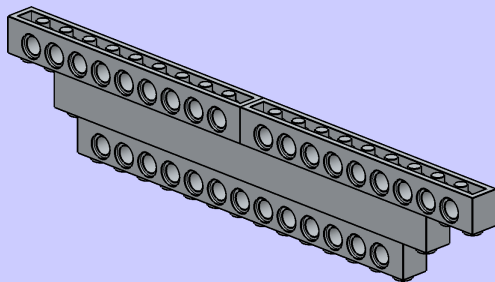
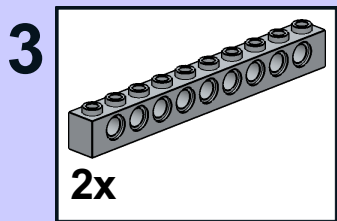
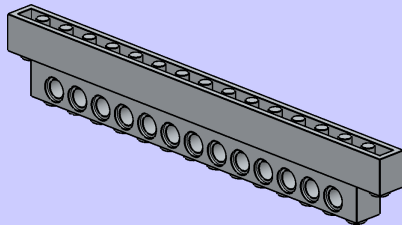
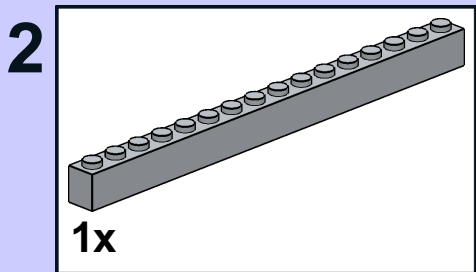
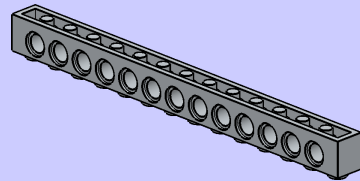
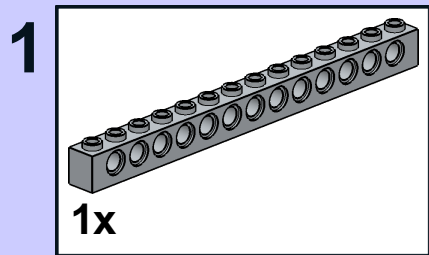


1

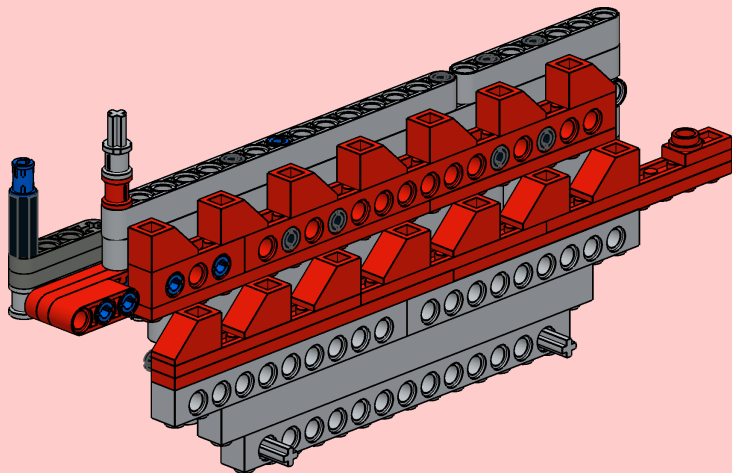


1 1x	2 1x	3 1x 3 1x
		x2

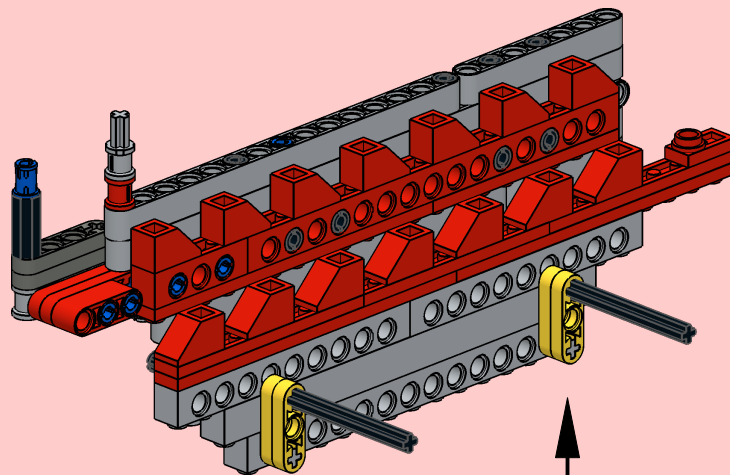
7



2

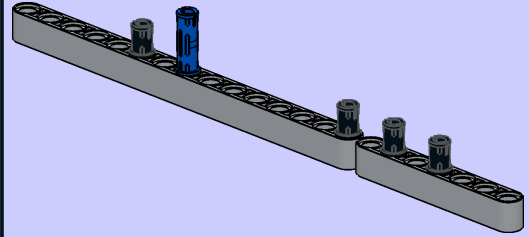
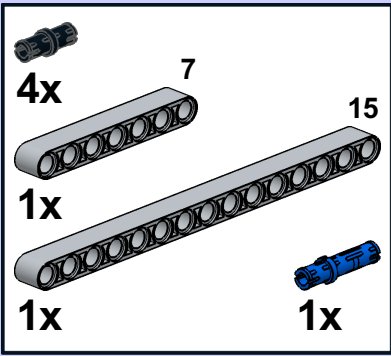


3

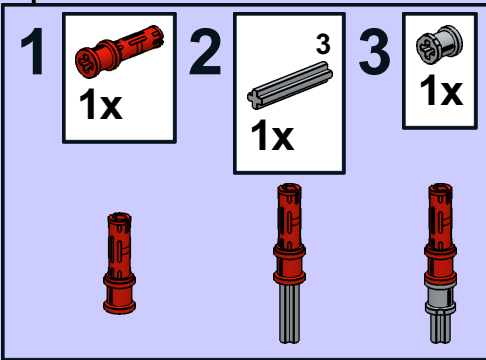
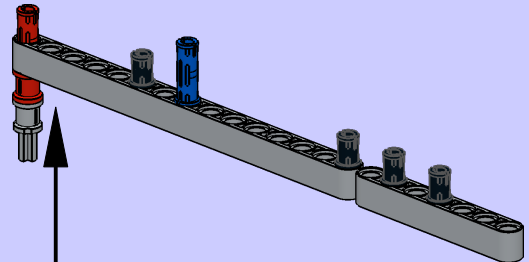


1 1x	2 1x	3 1x	6 1x
			x2

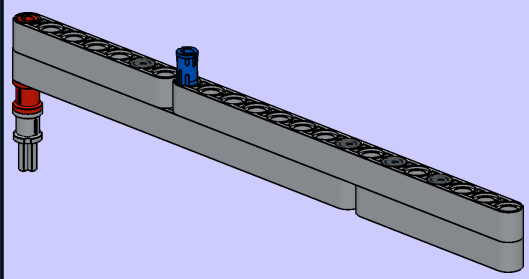
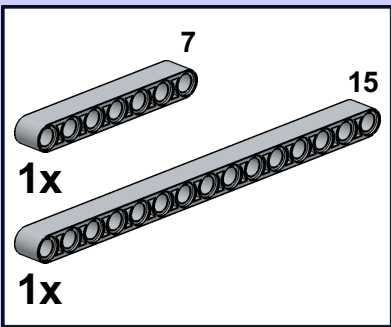
1



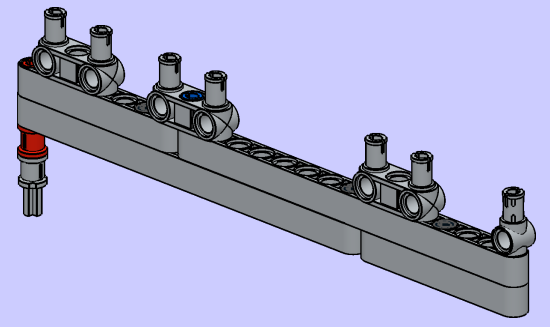
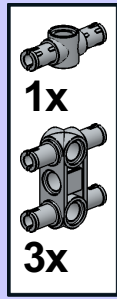
2



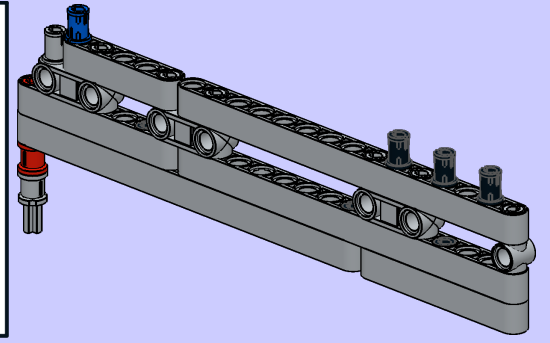
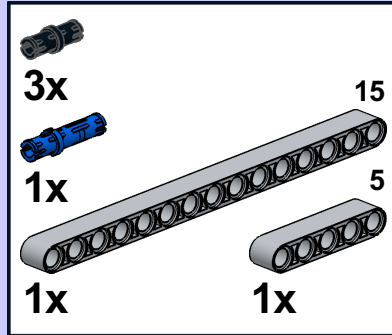
3



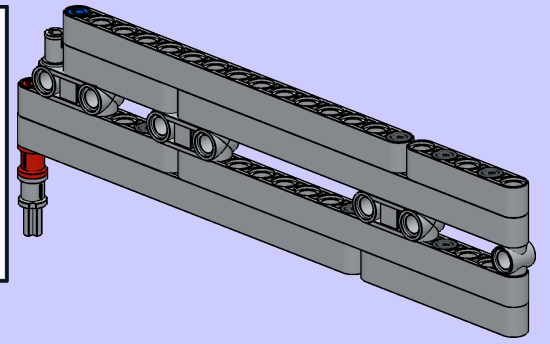
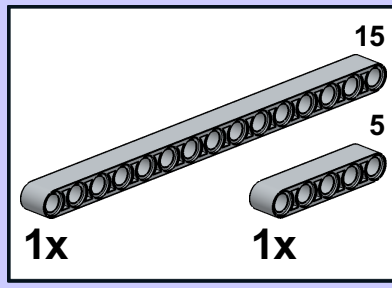
4



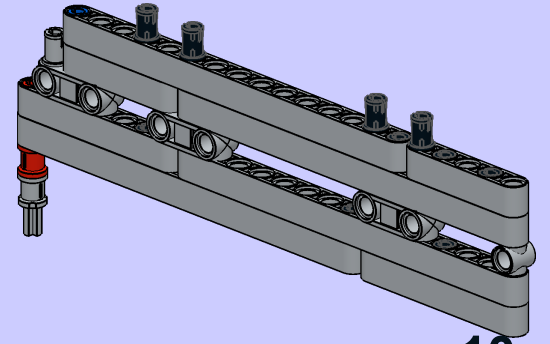
5

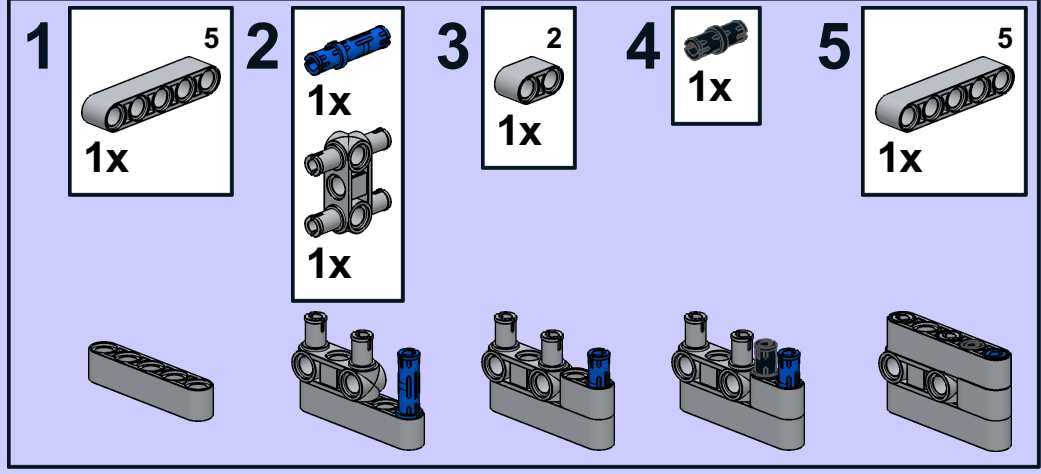
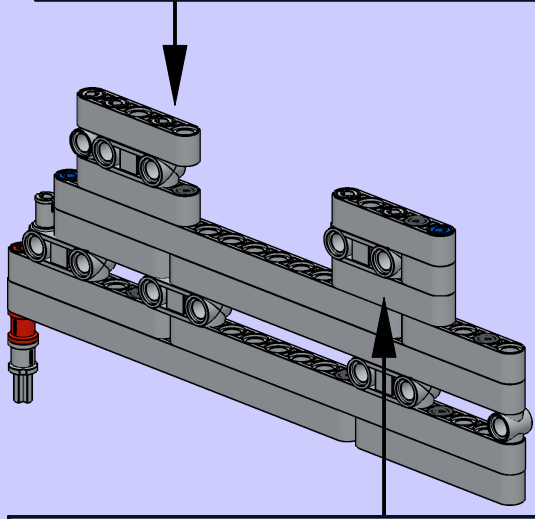
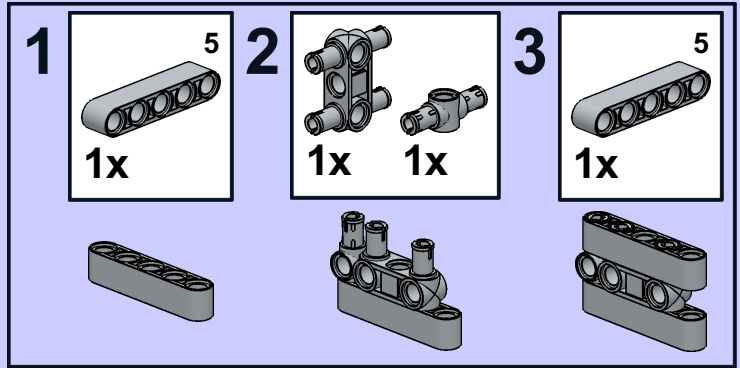


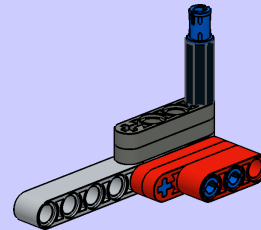
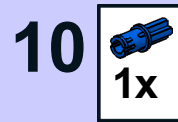
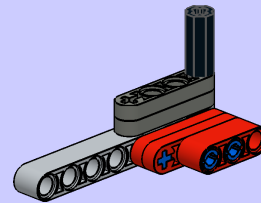
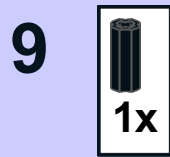
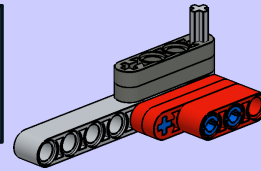
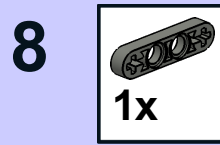
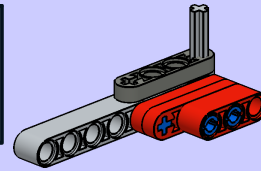
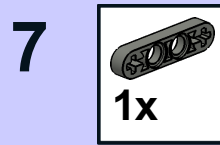
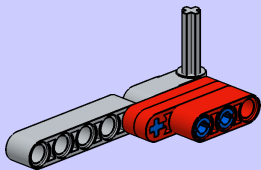
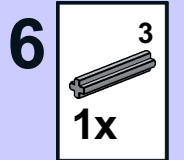
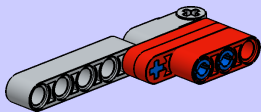
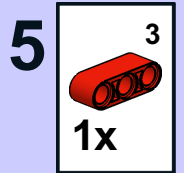
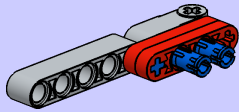
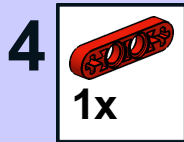
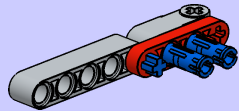
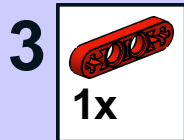
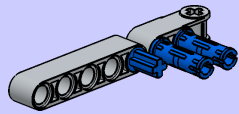
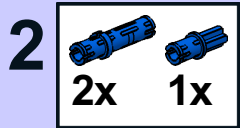
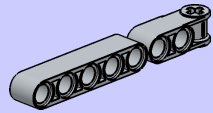
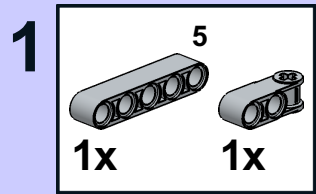
6

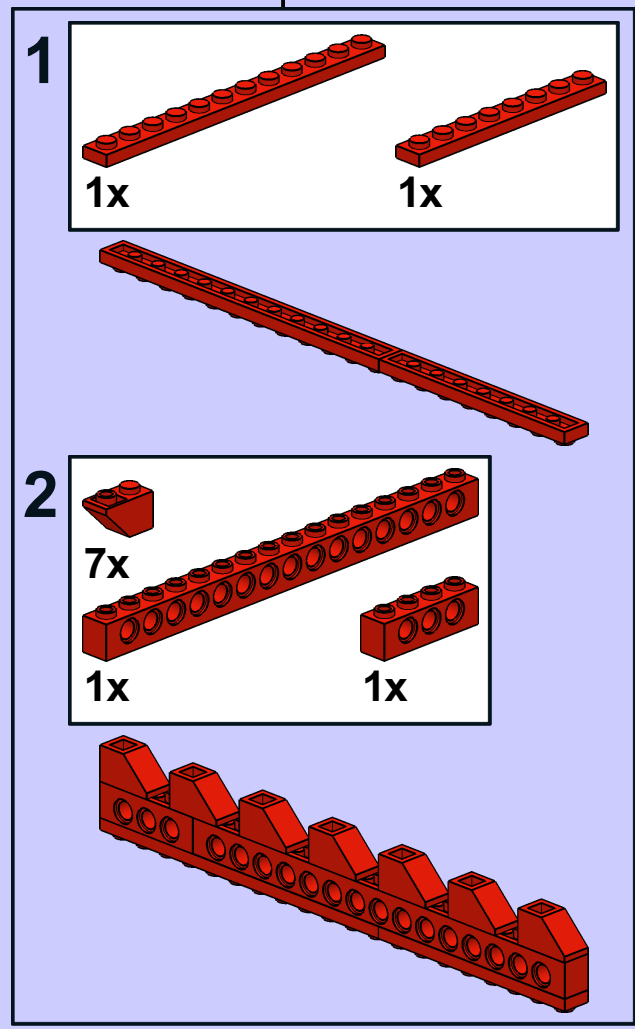
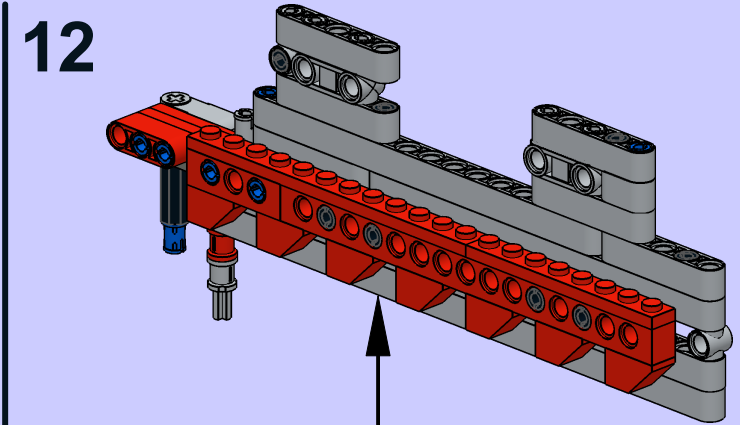
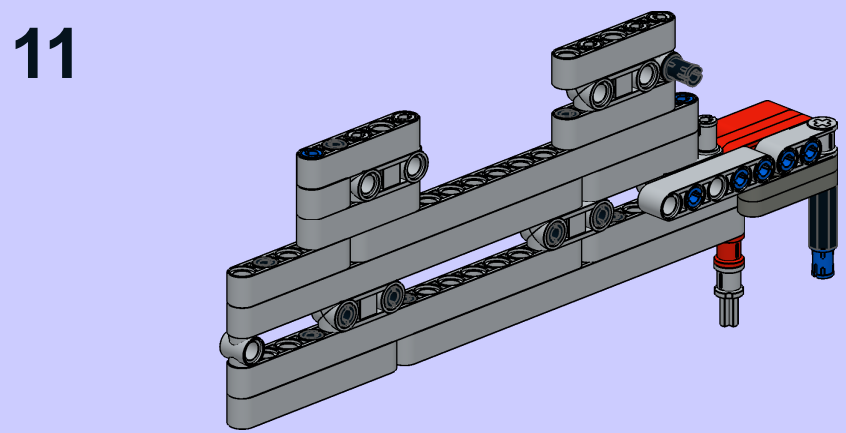
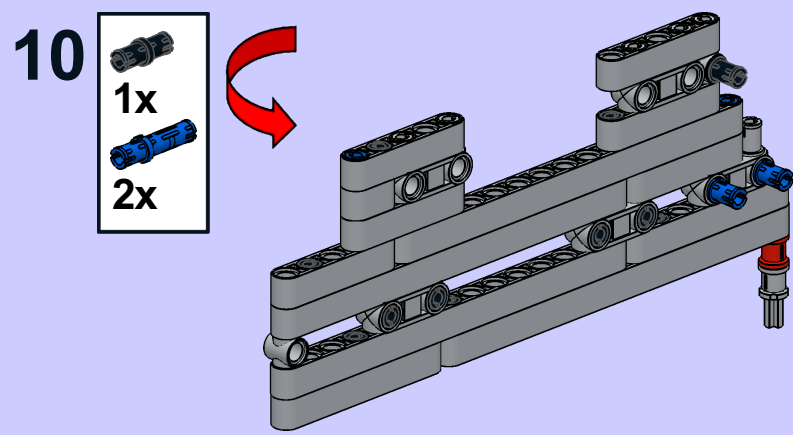
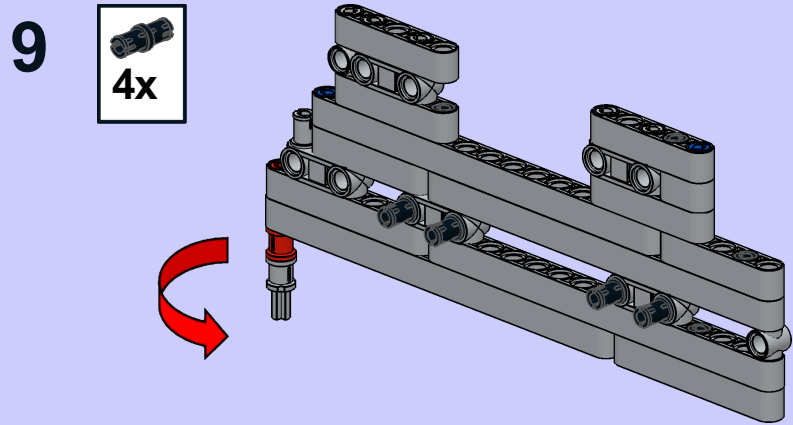


7

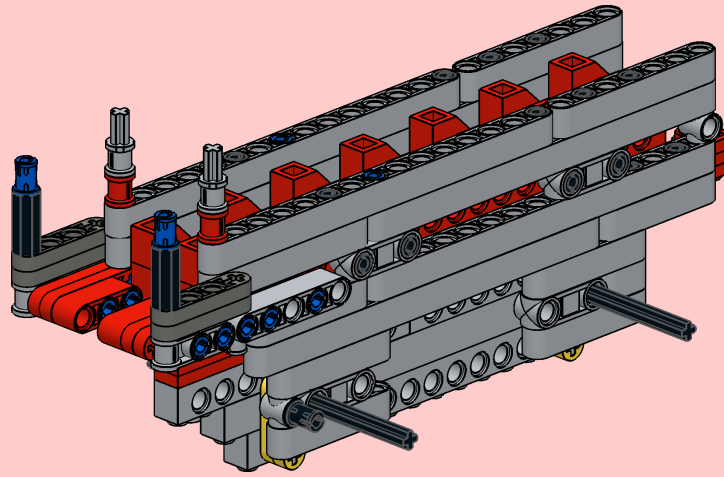




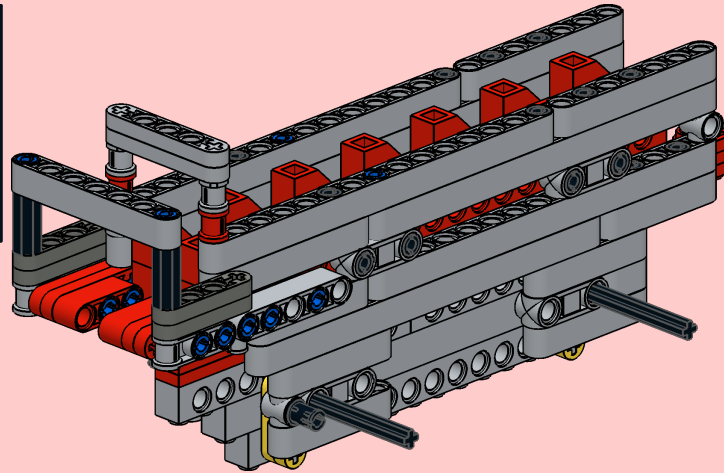
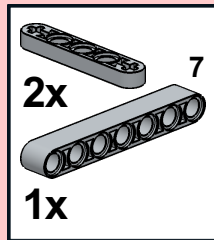


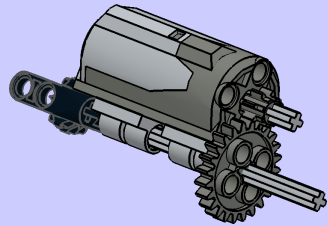
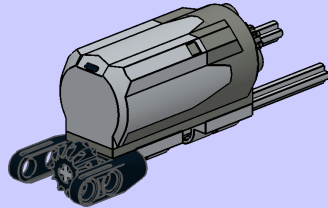
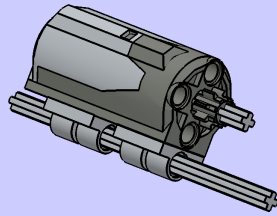
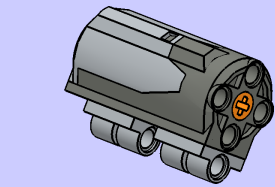
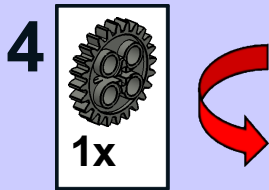
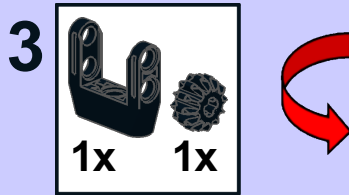
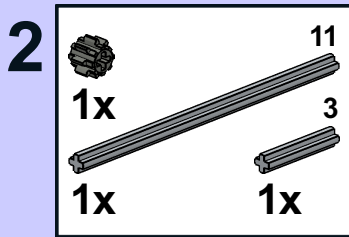
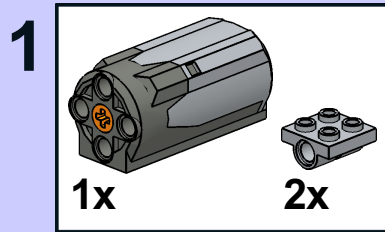


4

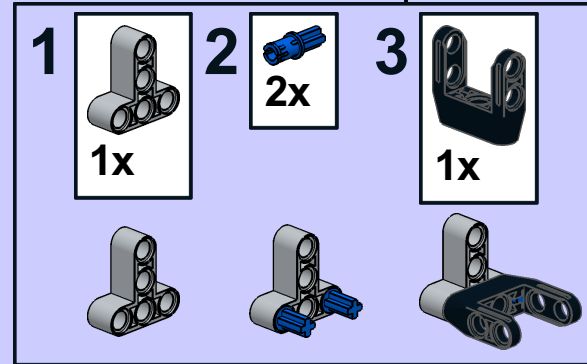


5

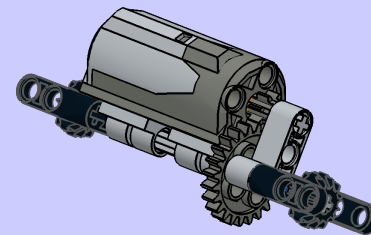




5



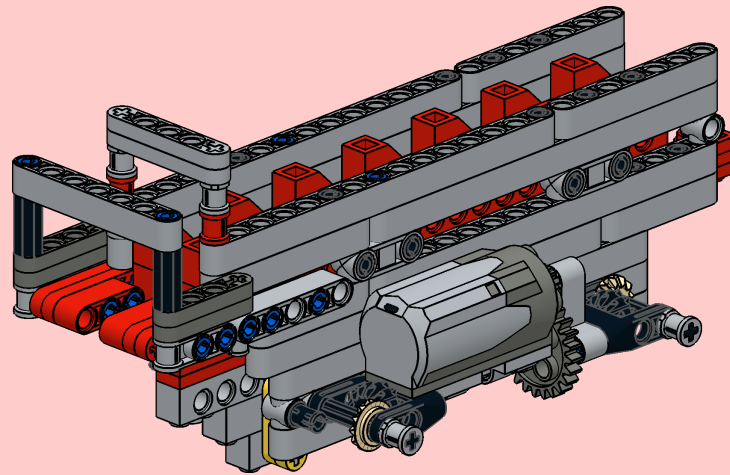
6



6



Ensure the 16 tooth gear orientation is correct



Use alignment tool to set proper rotation