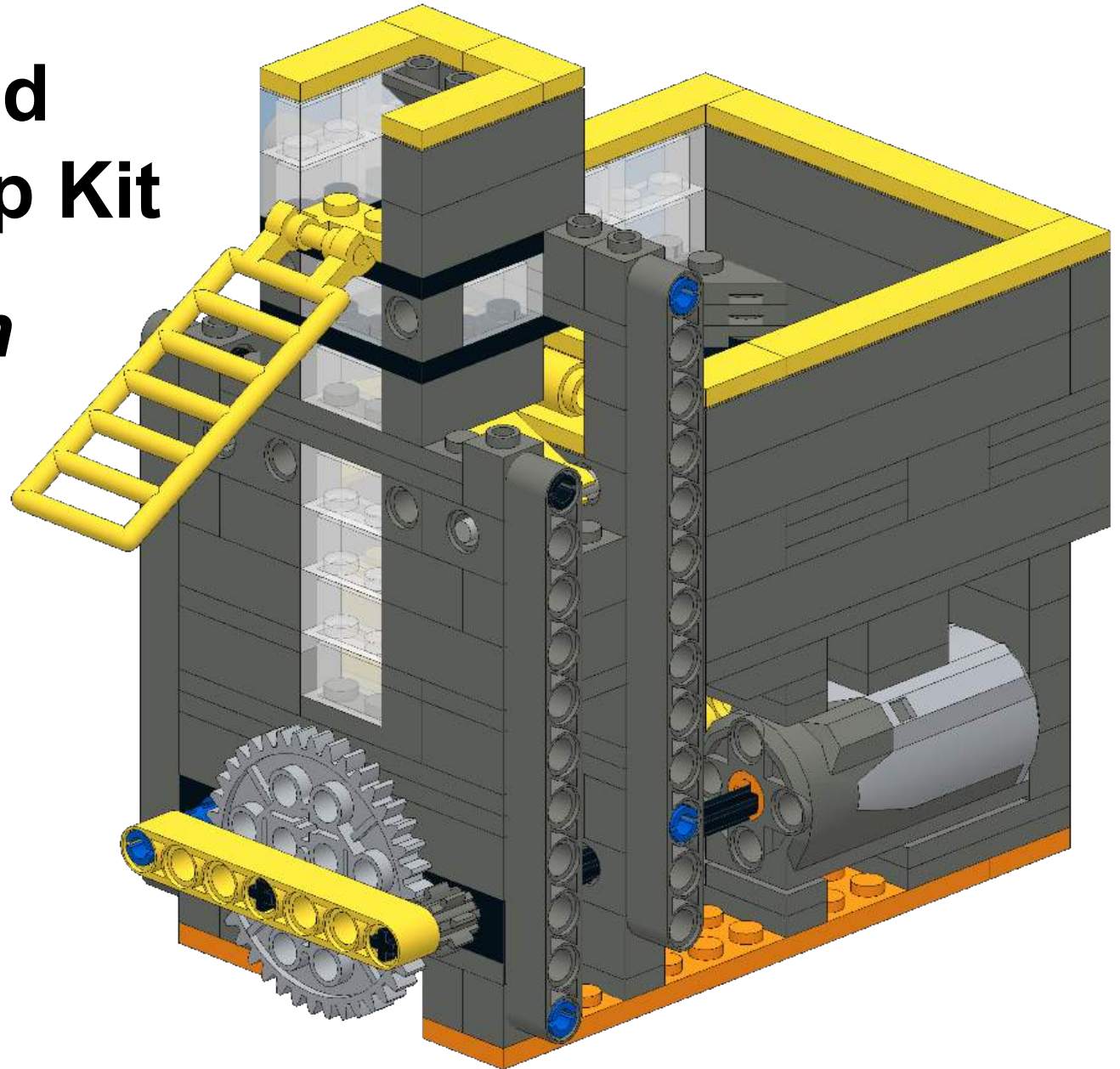


2018 Brickworld GBC Workshop Kit

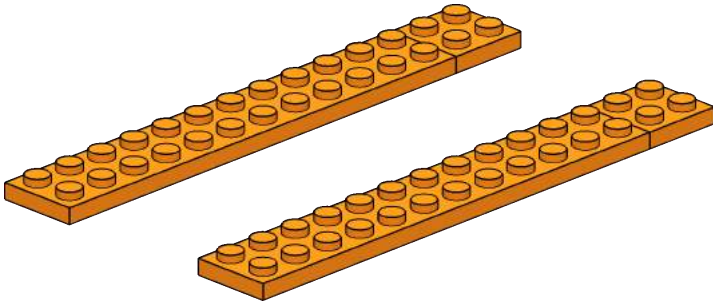
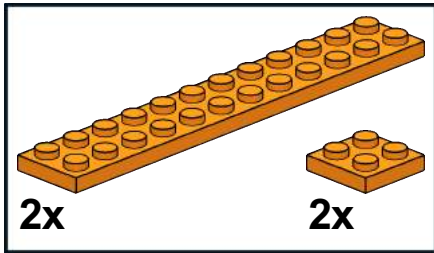
Ball Pump with Check Valve

Designed by:
Brian Alano

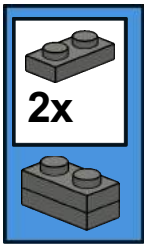
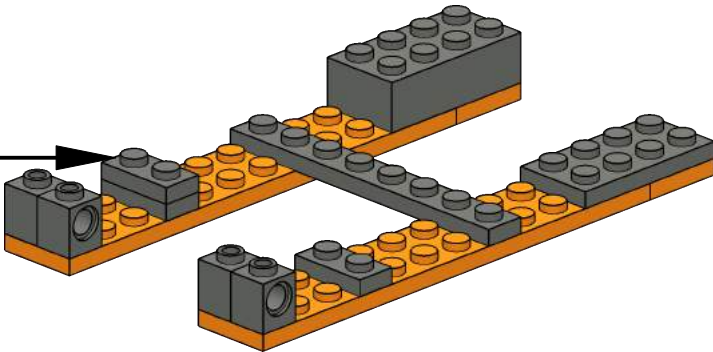
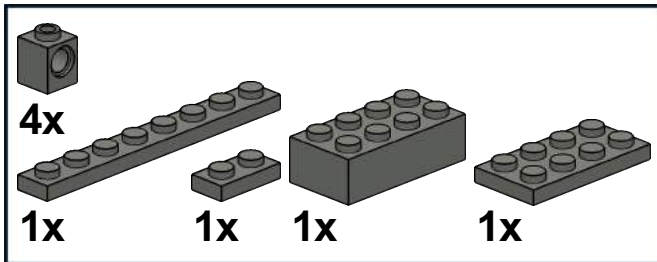
Contributors:
Tom Atkinson
Bryan Bonahoom
Bob Luzenski



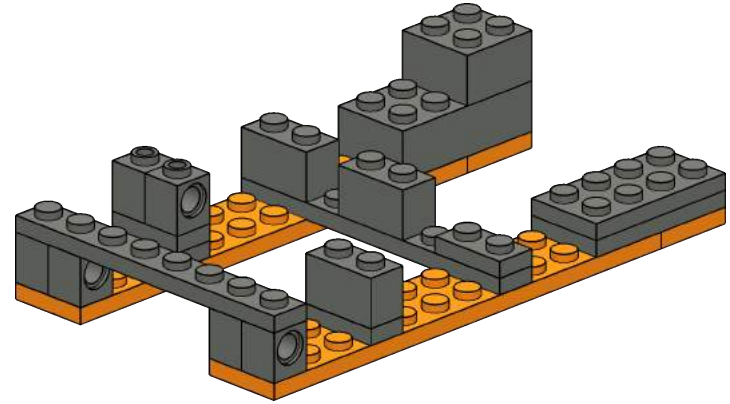
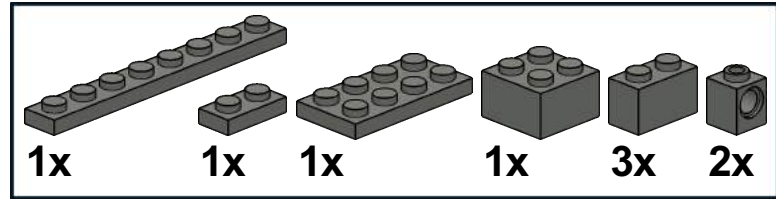
1



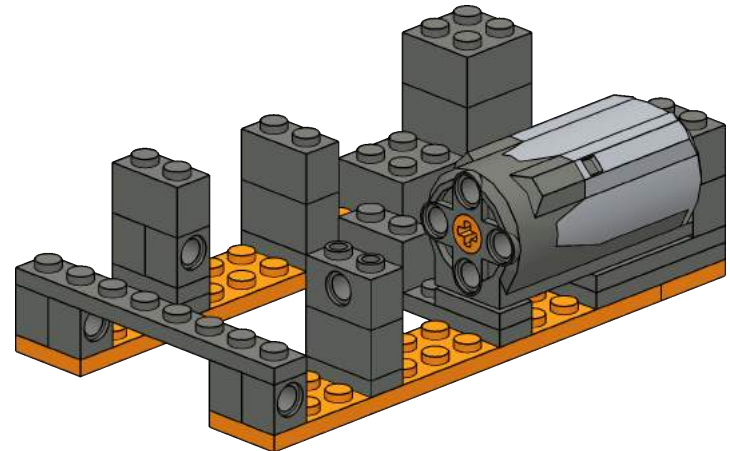
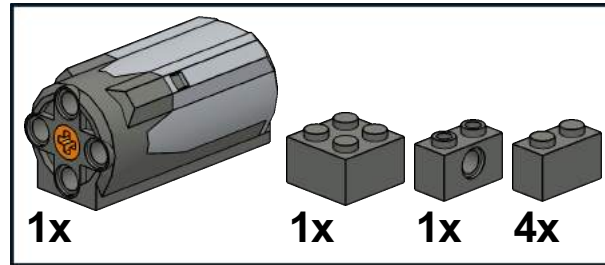
2



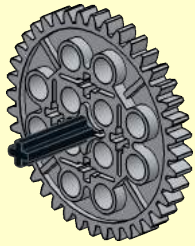
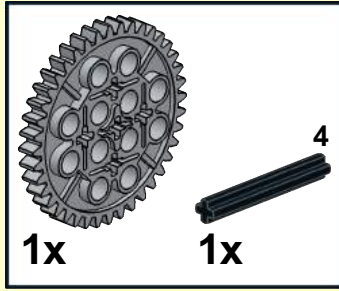
3



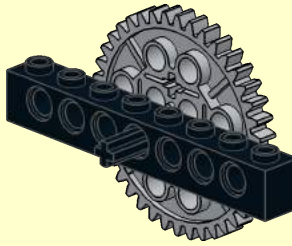
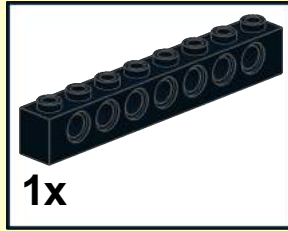
4



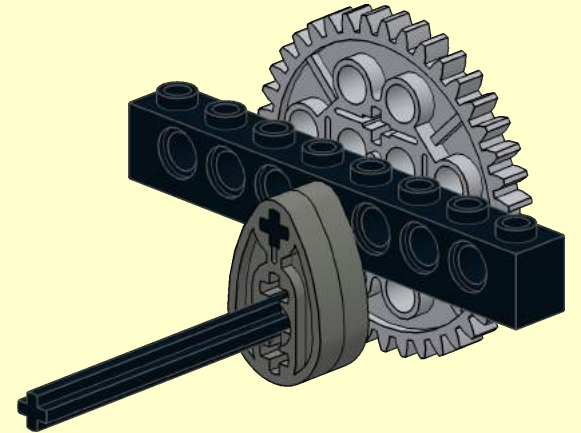
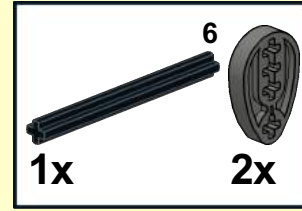
1



2

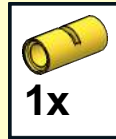


3



4

5



1

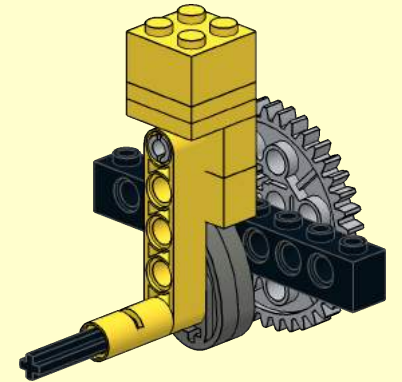
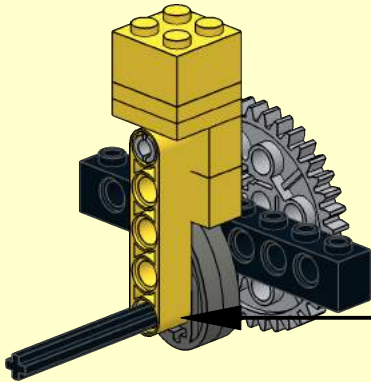
1x 1x 1x

2

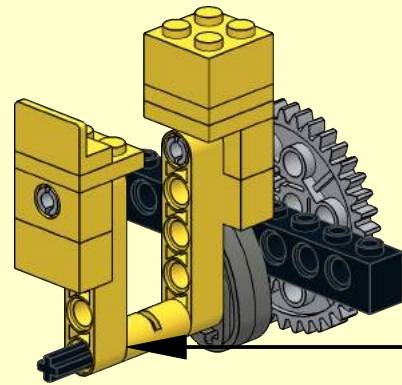
1x 1x

3

1x 1x 5



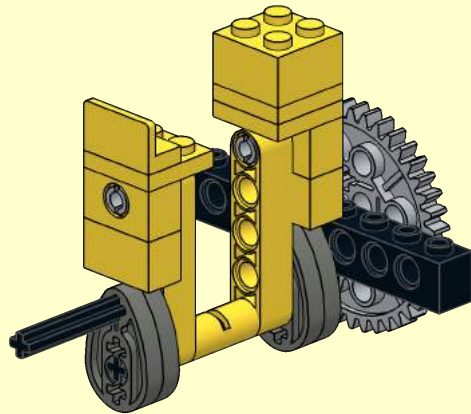
6



1 1x 1x	2 1x	3 1x	4 1x 1x

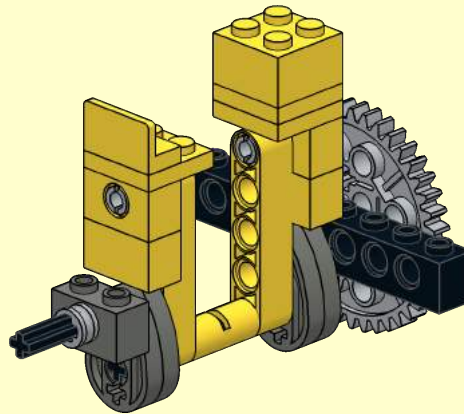
7

 1x	4 2x
--------	-------------



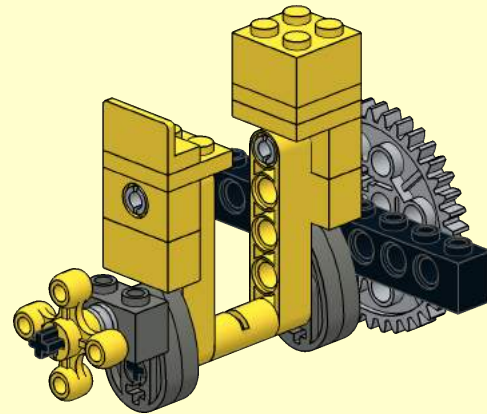
8

 1x	 1x
--------	--------

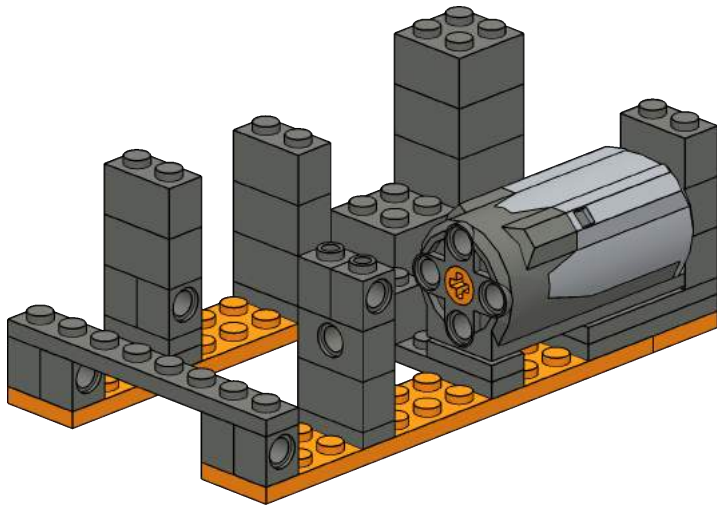
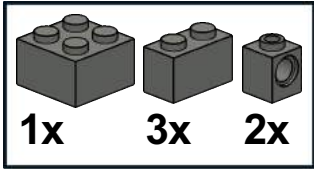


9

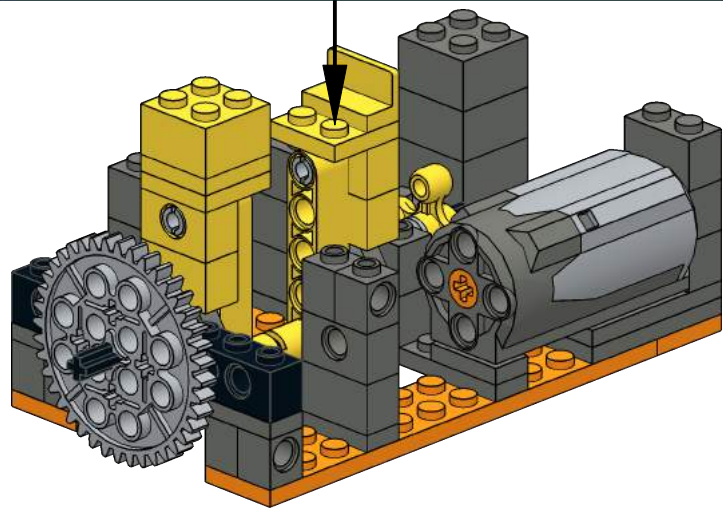
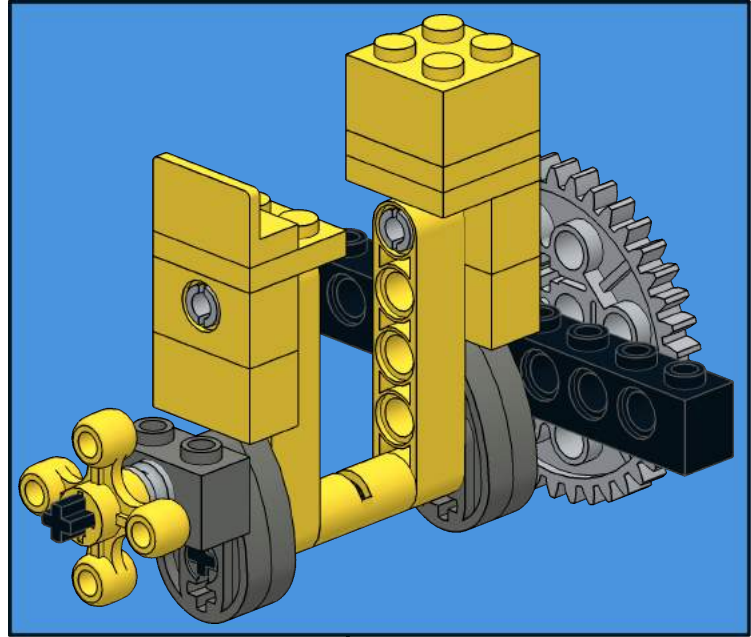
 1x

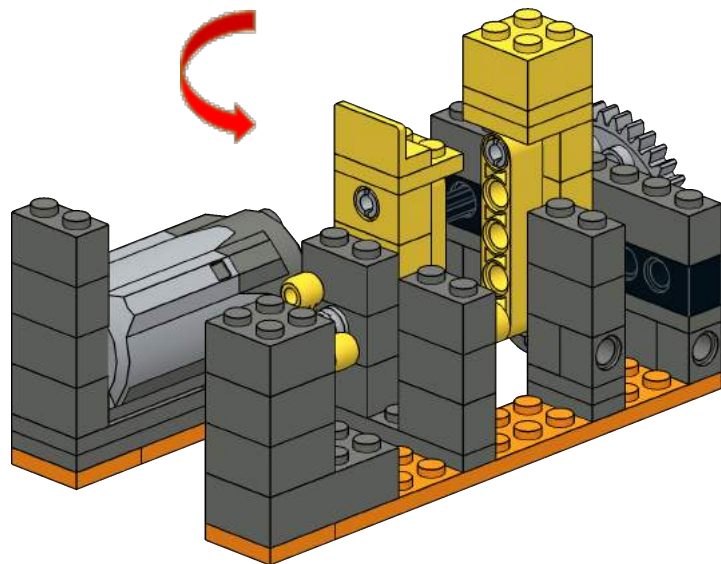
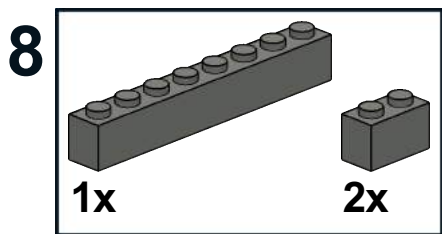
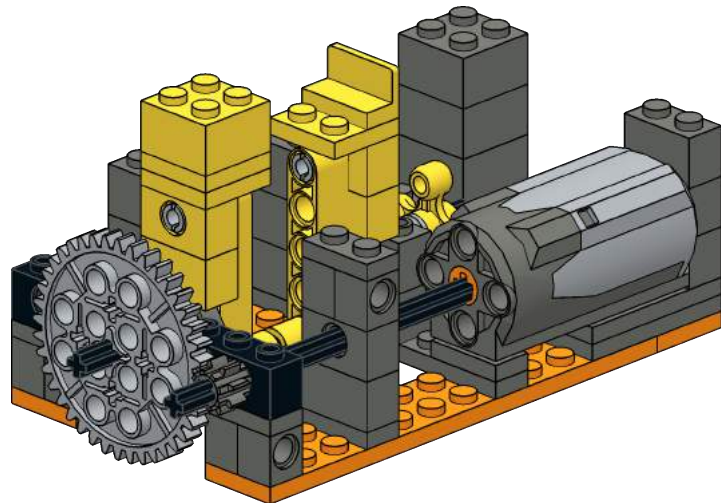
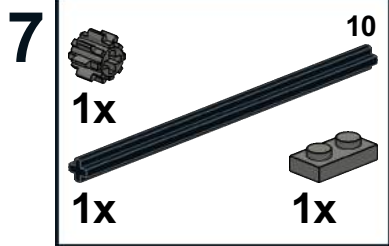


5

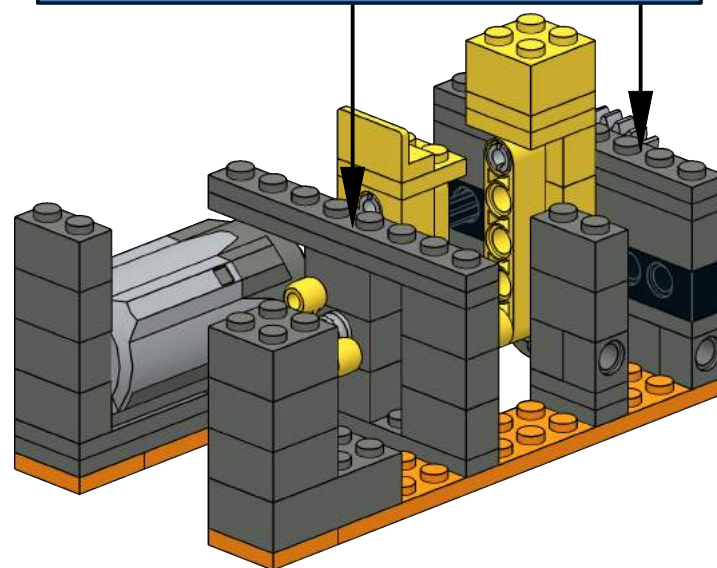
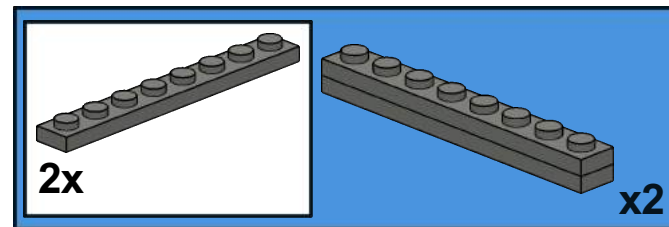


6

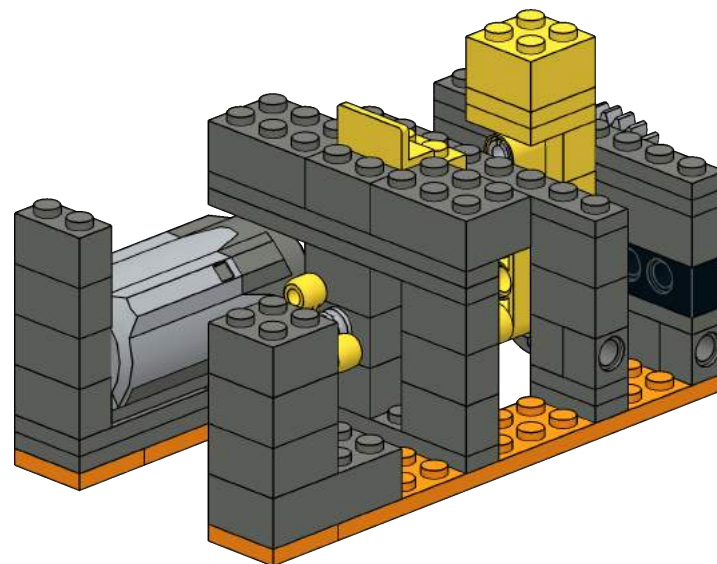
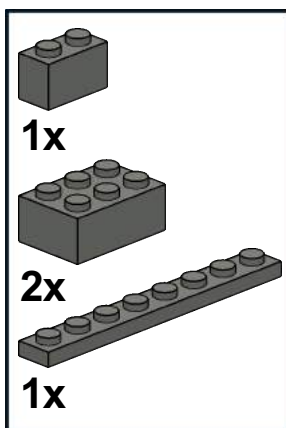




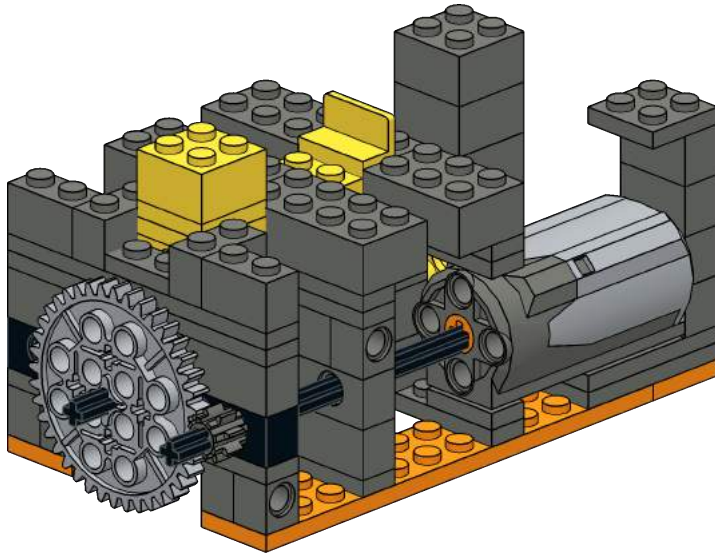
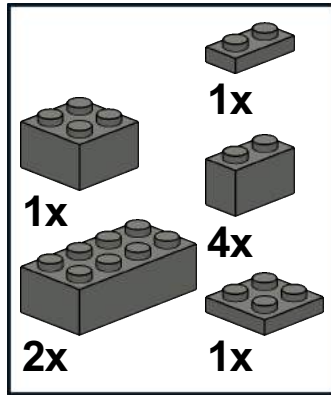
9



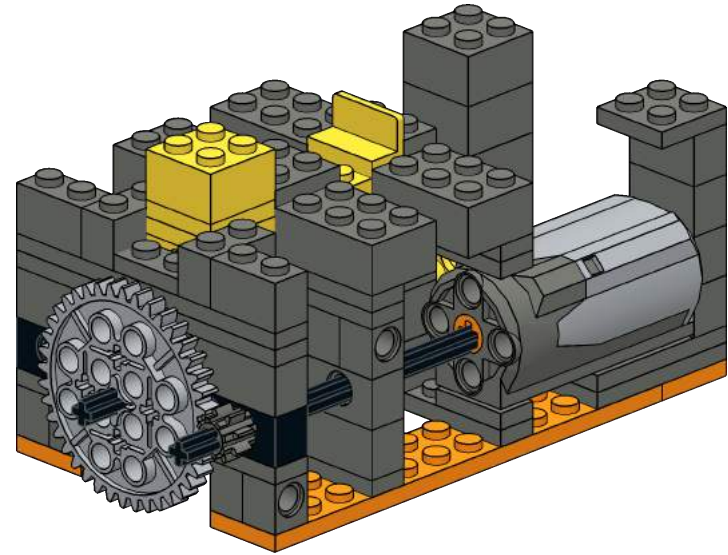
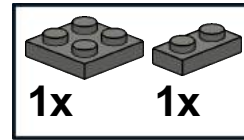
10

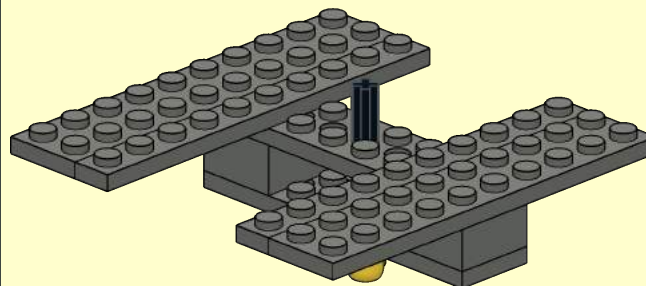
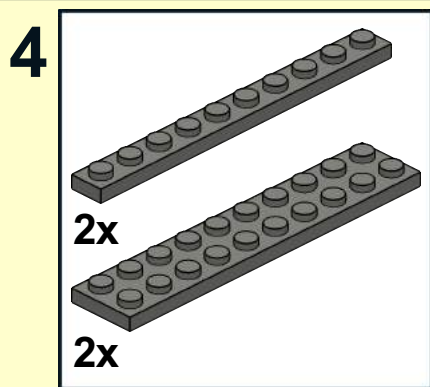
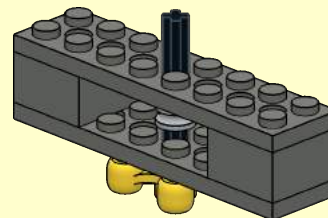
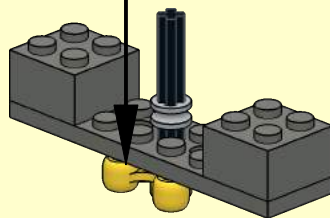
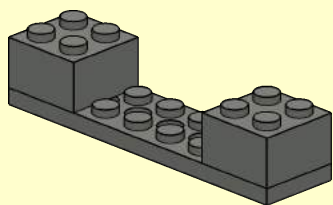
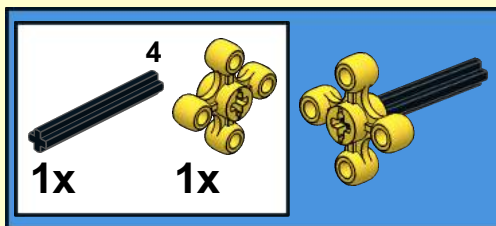
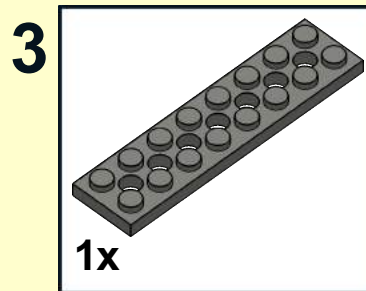
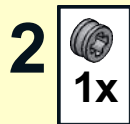
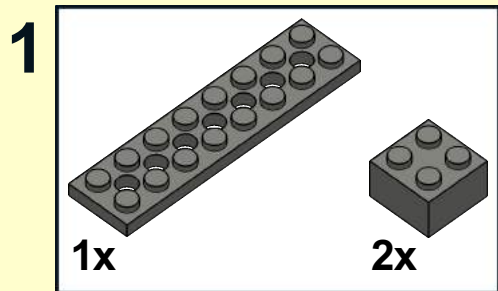


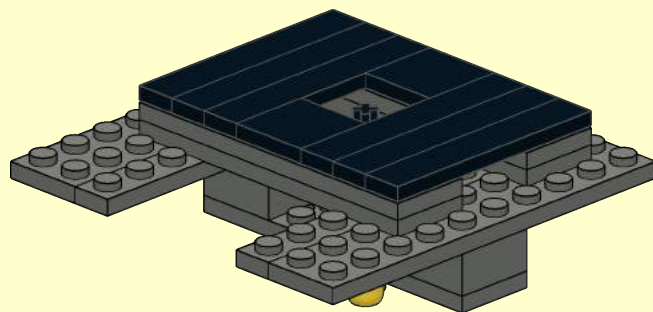
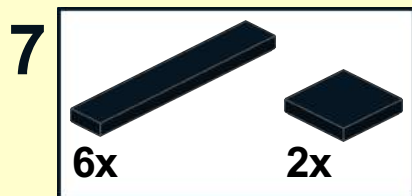
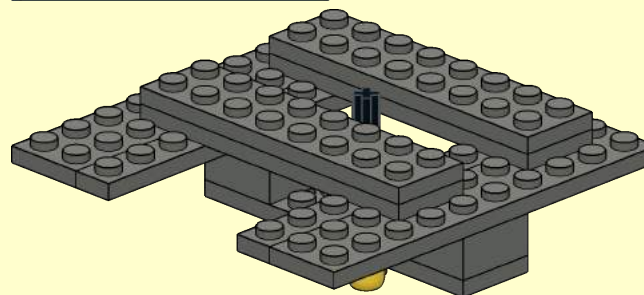
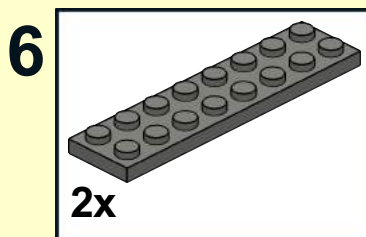
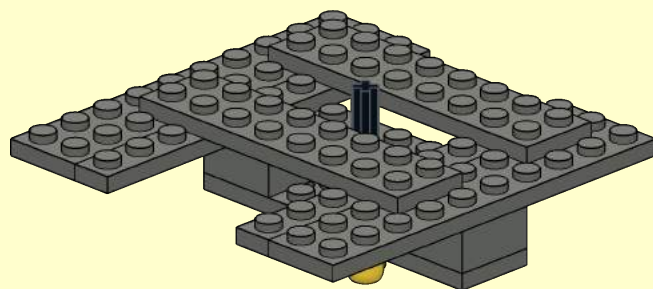
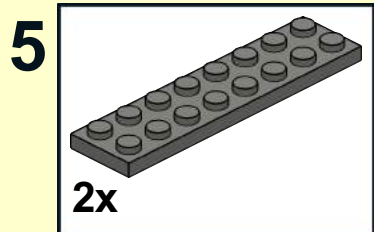
11



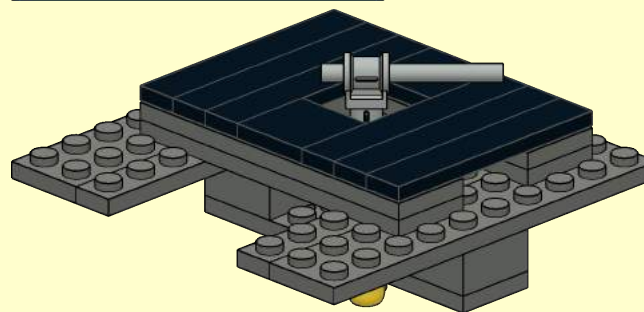
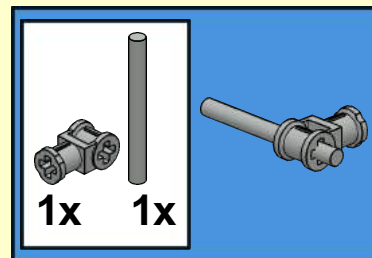
12



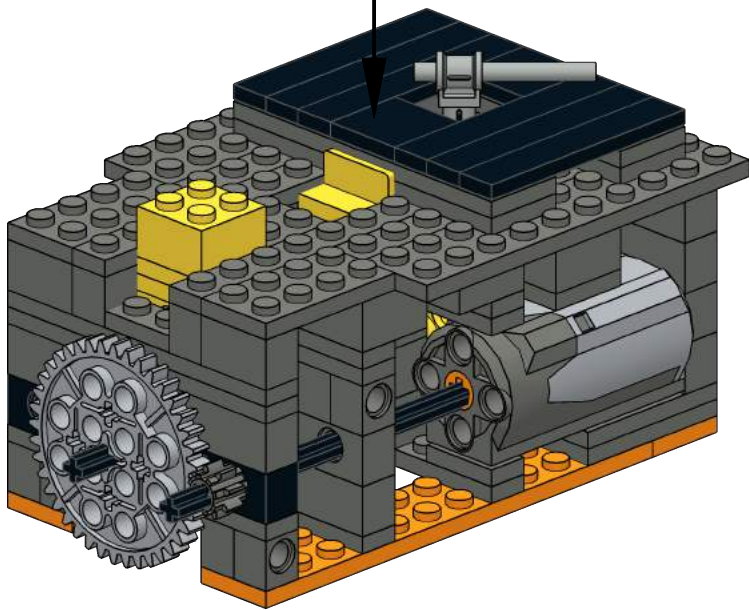
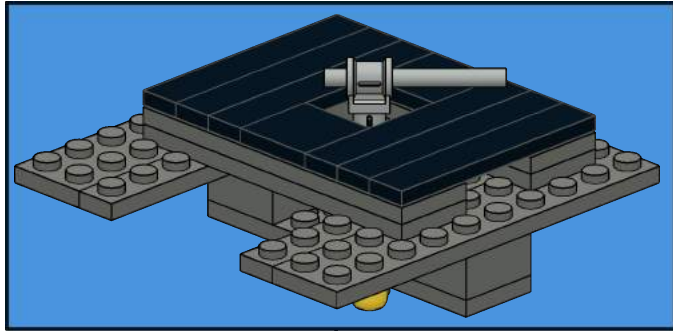
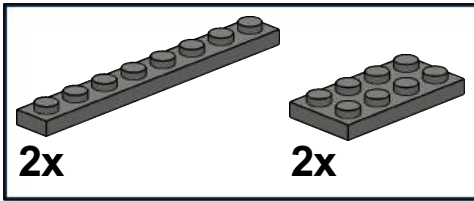




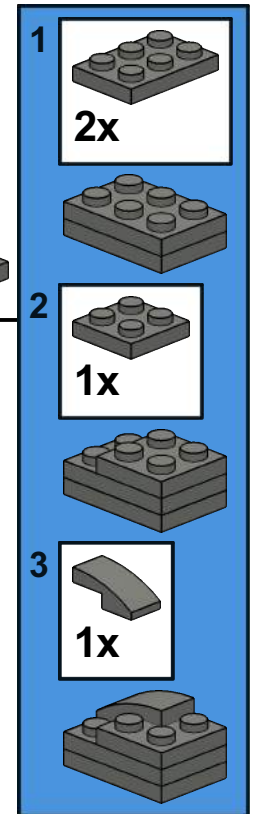
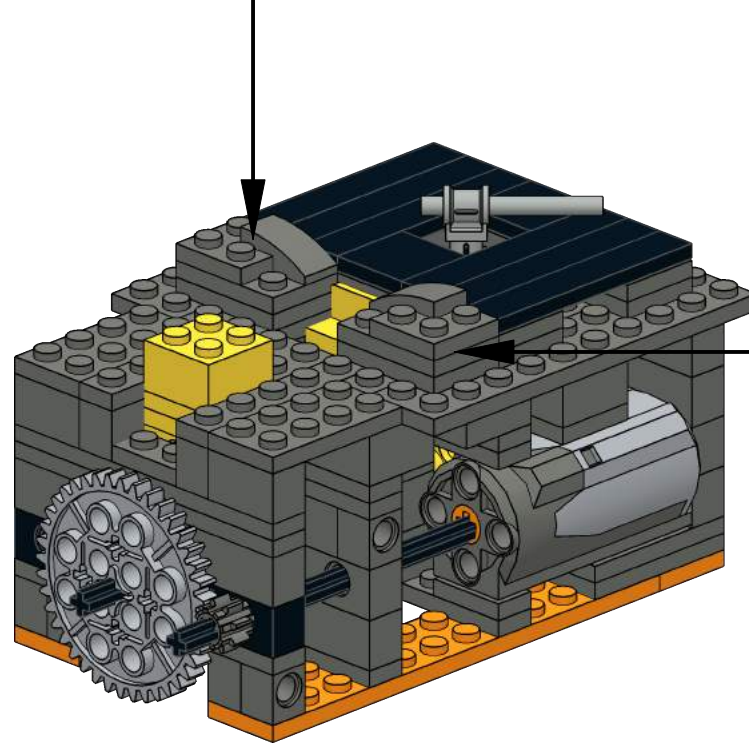
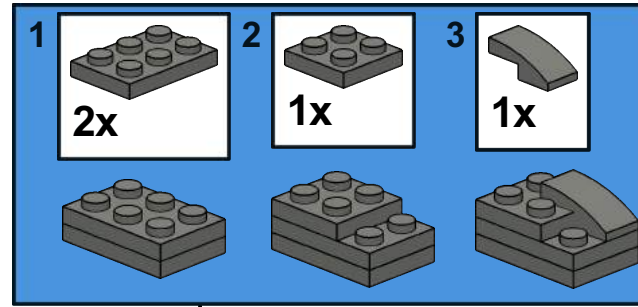
8



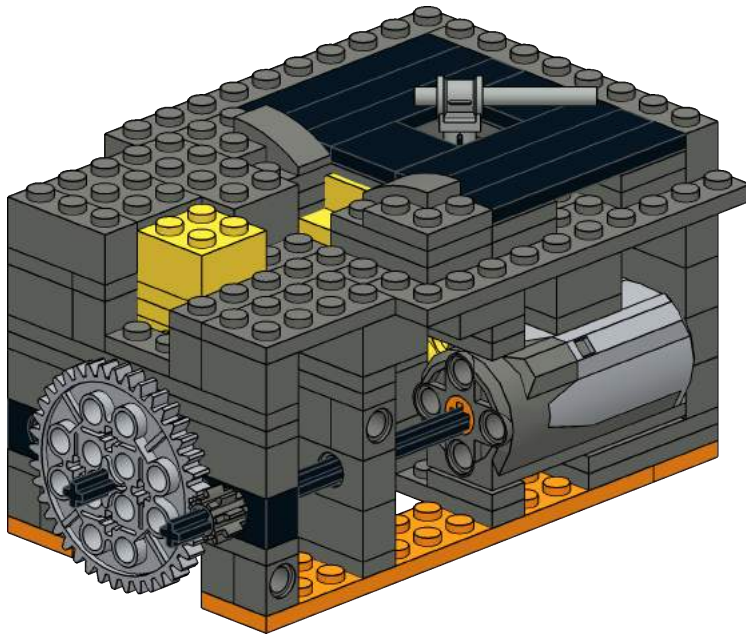
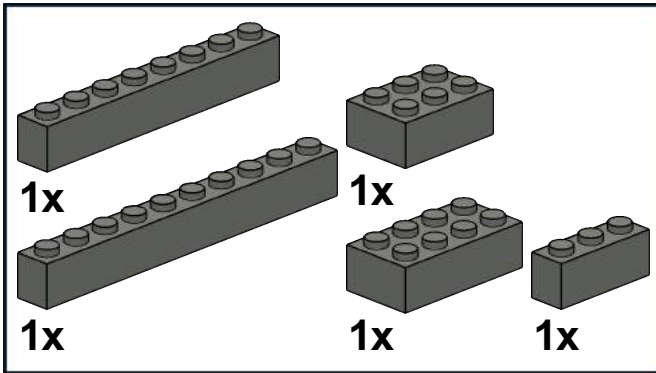
13



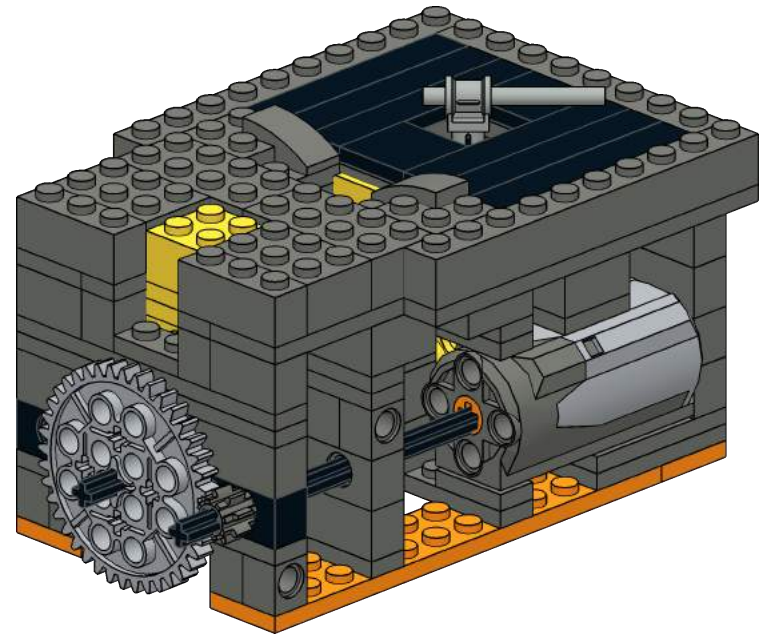
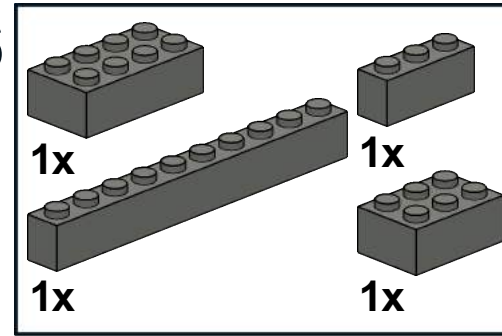
14



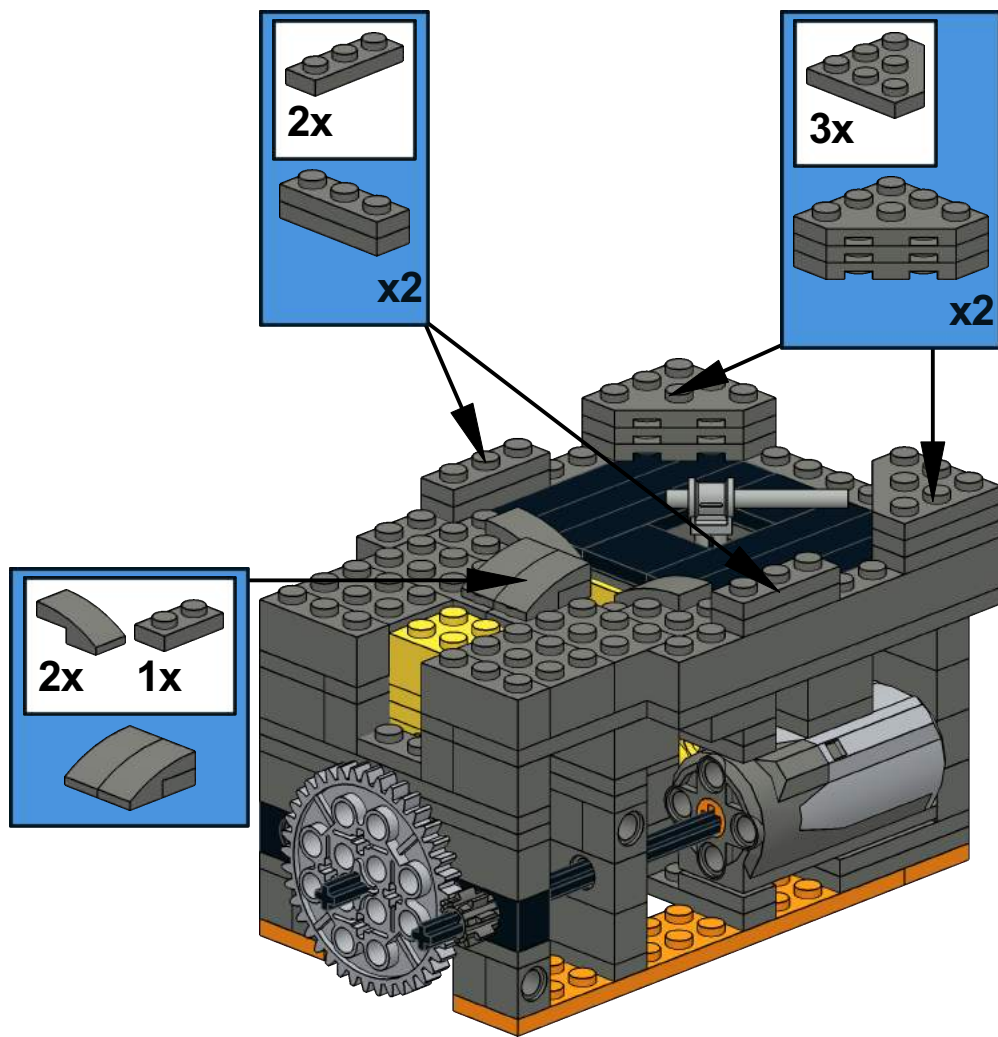
15



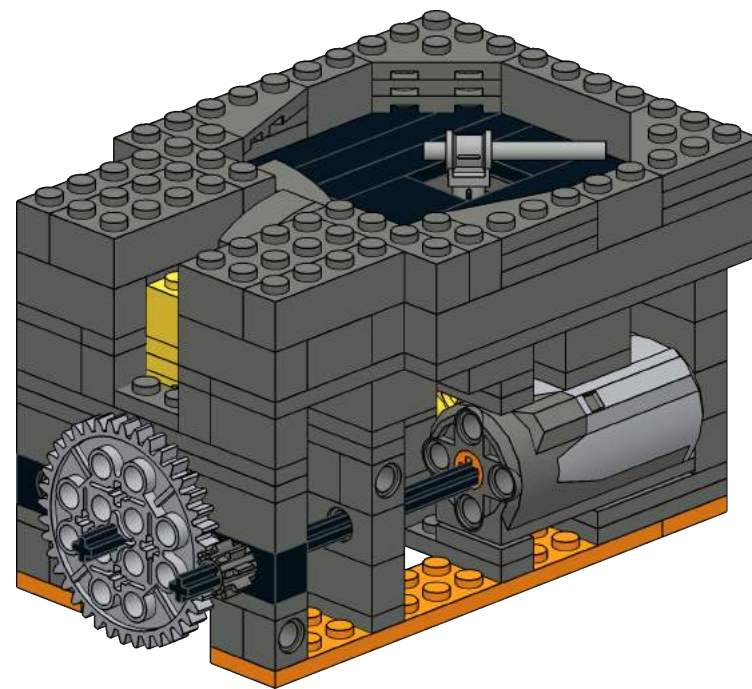
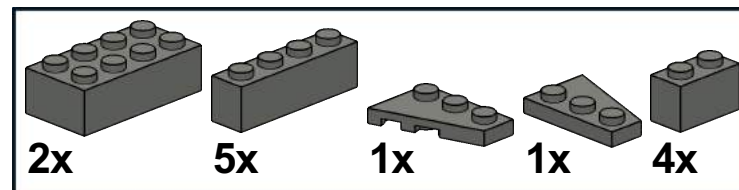
16



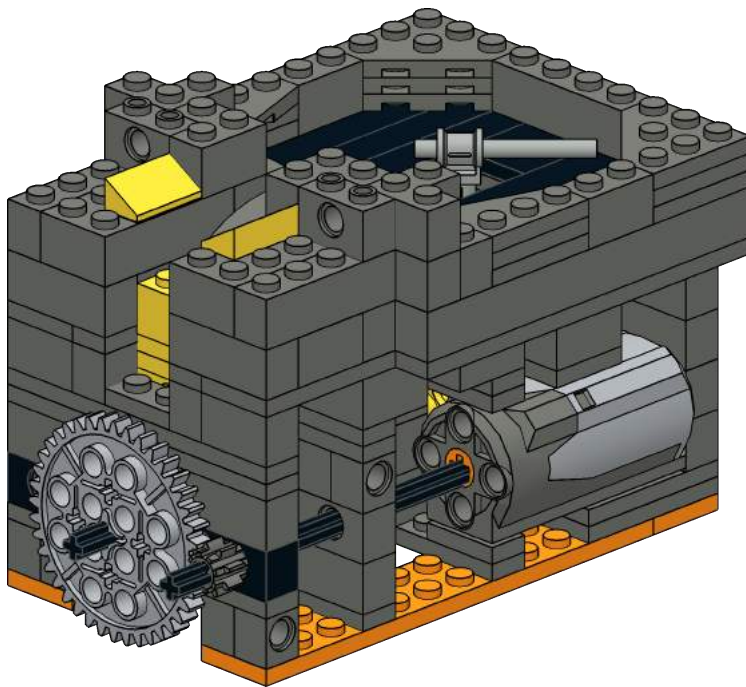
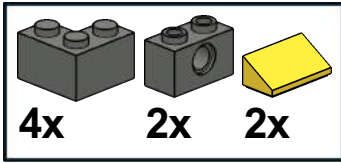
17



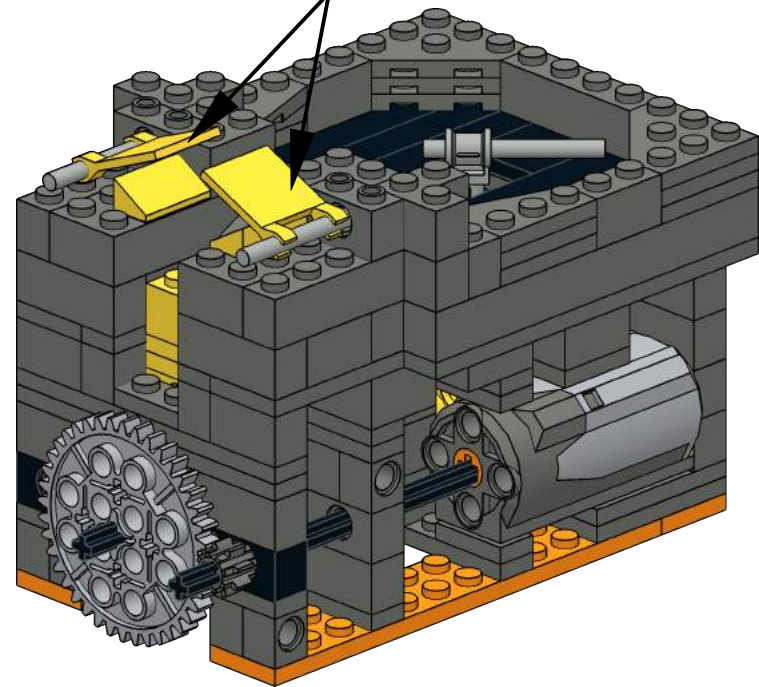
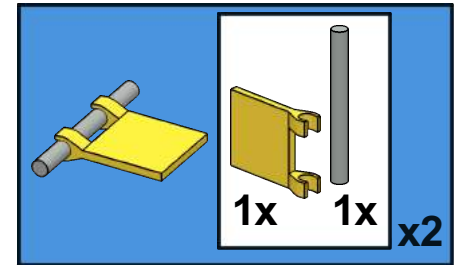
18



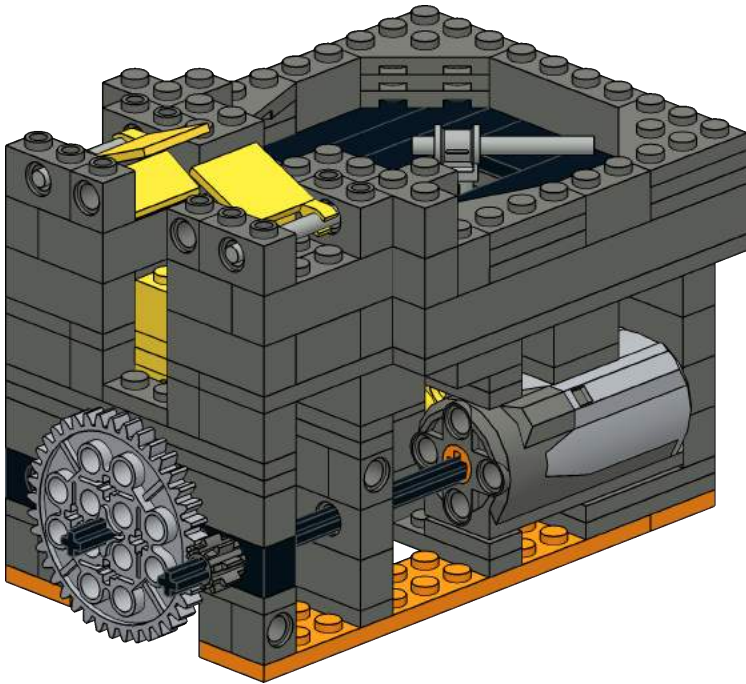
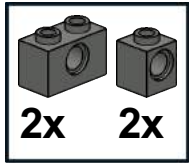
19



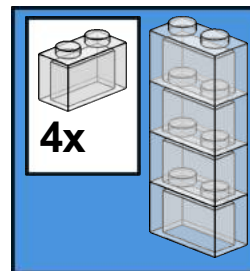
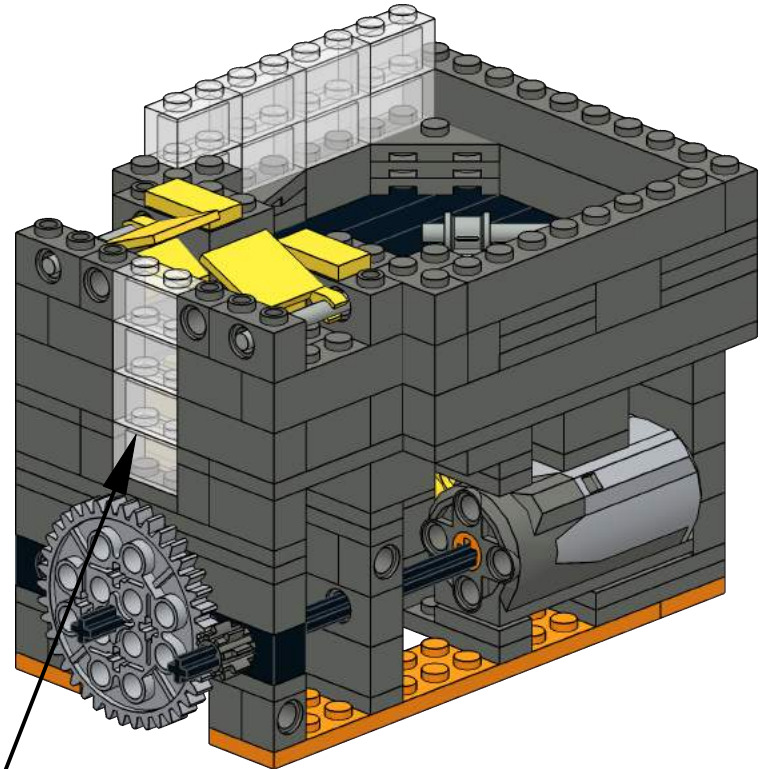
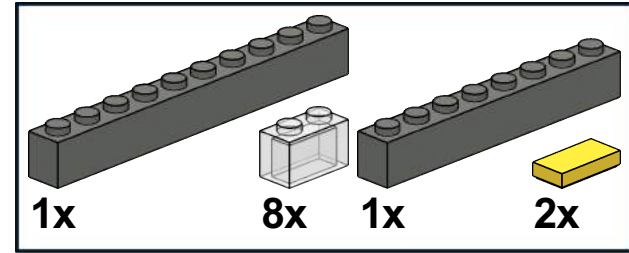
20



21

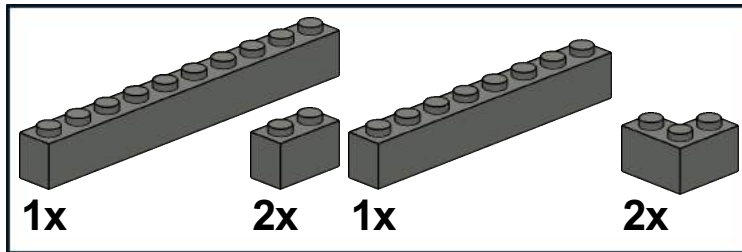


22

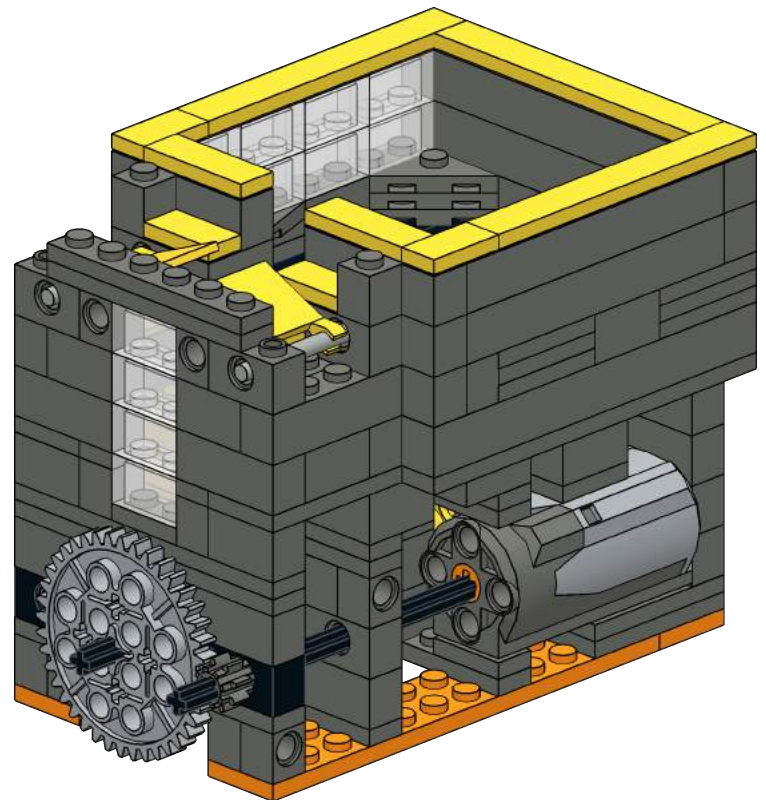
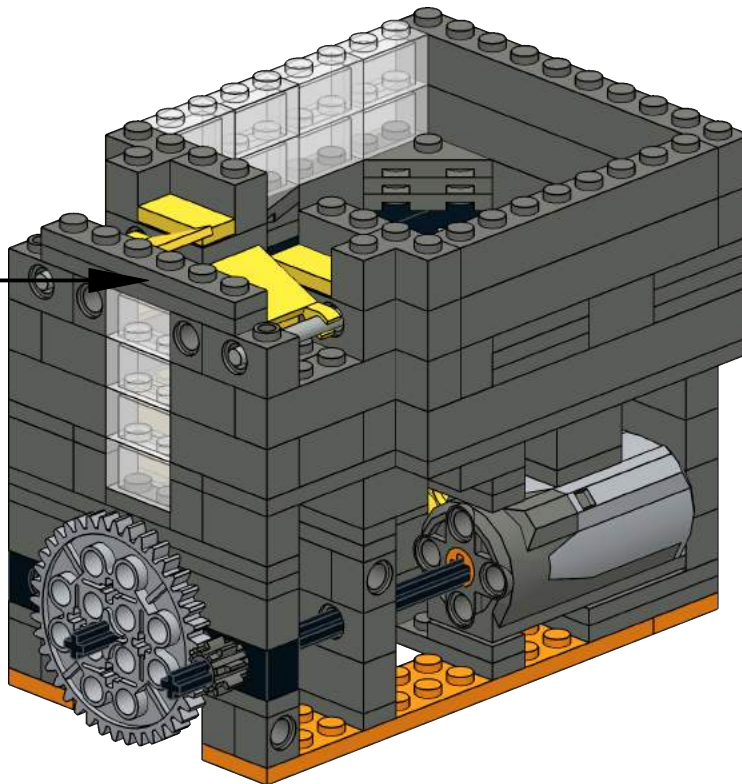
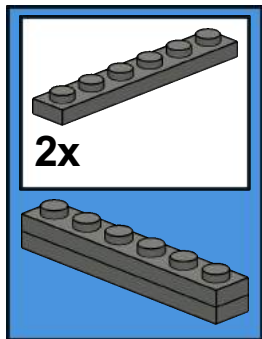
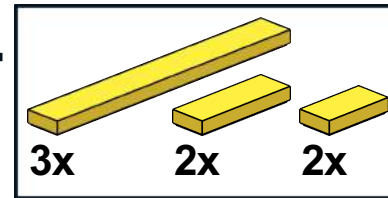


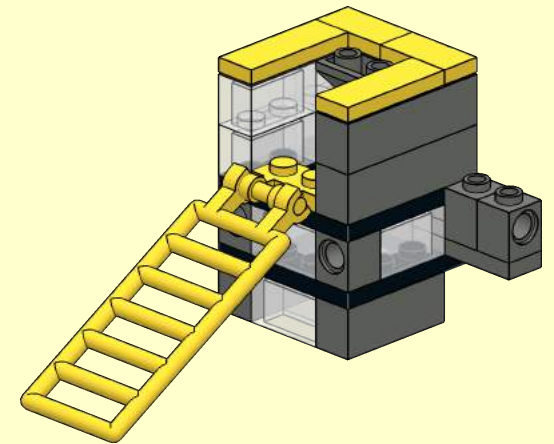
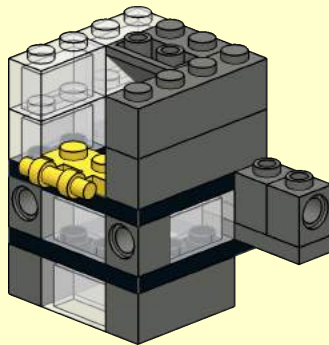
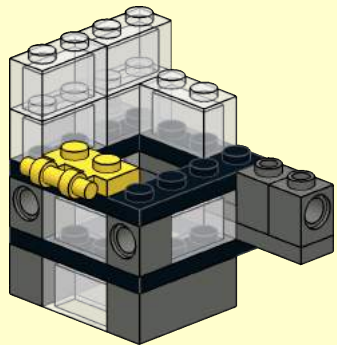
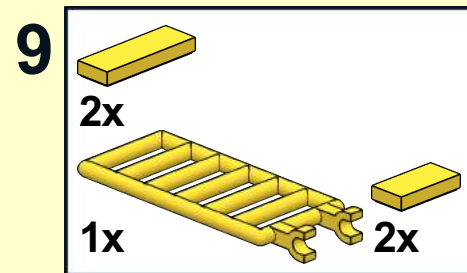
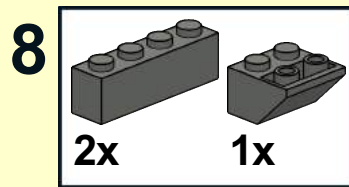
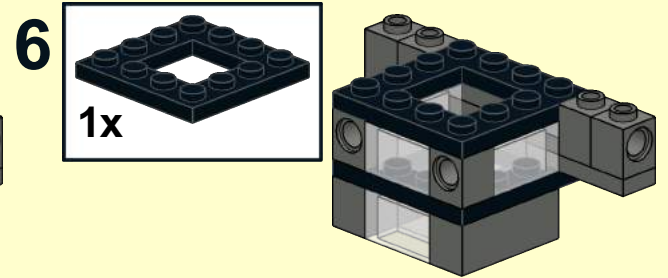
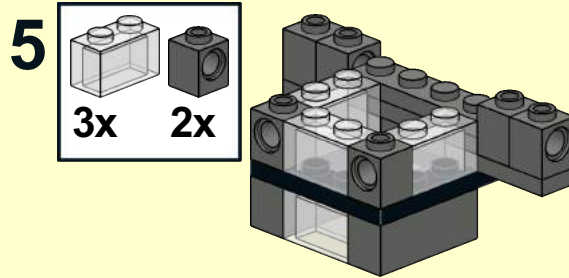
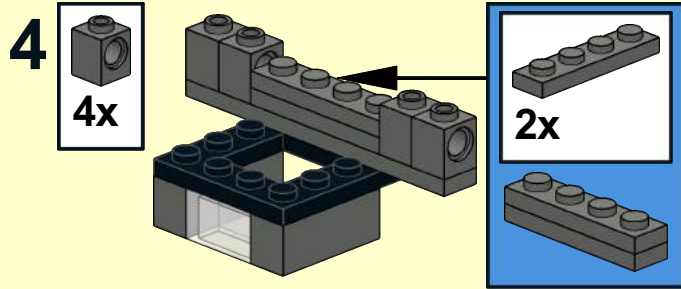
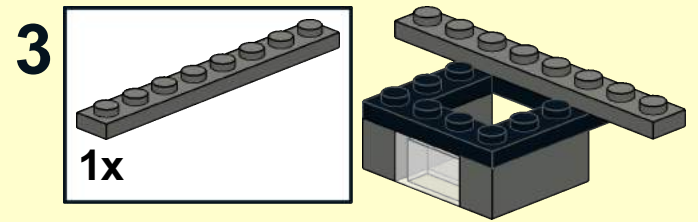
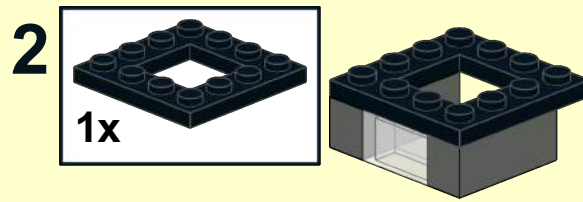
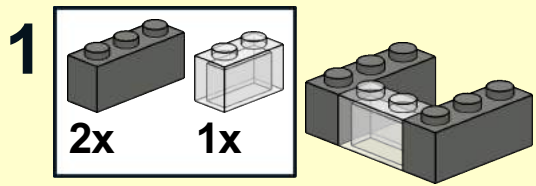
Align 'LEGO' on the studs for this subassembly


23

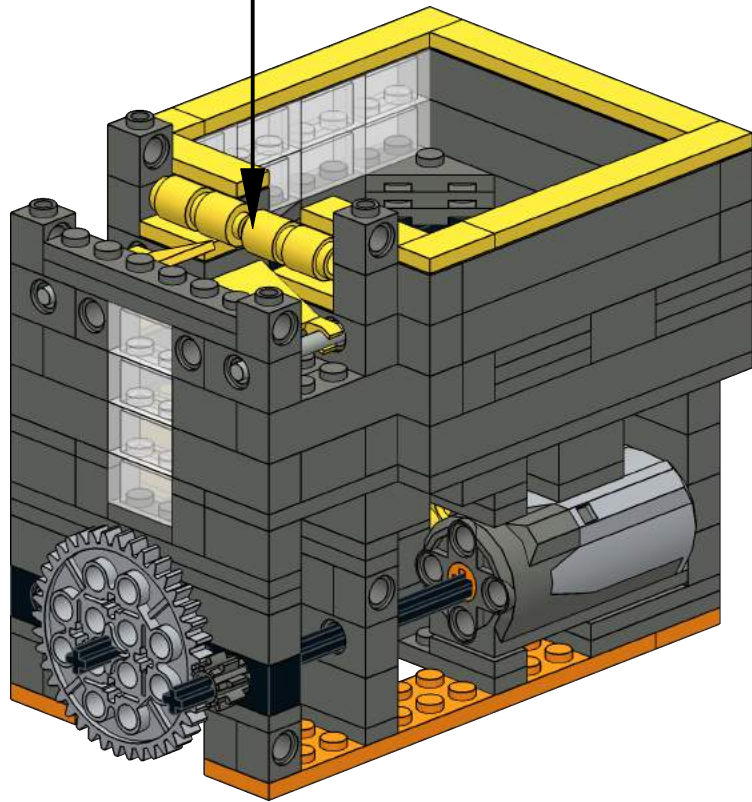
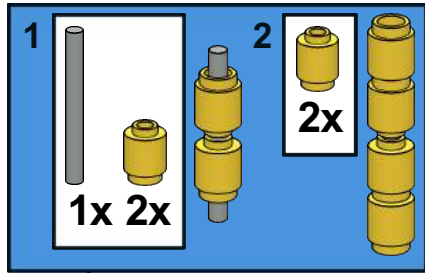


24

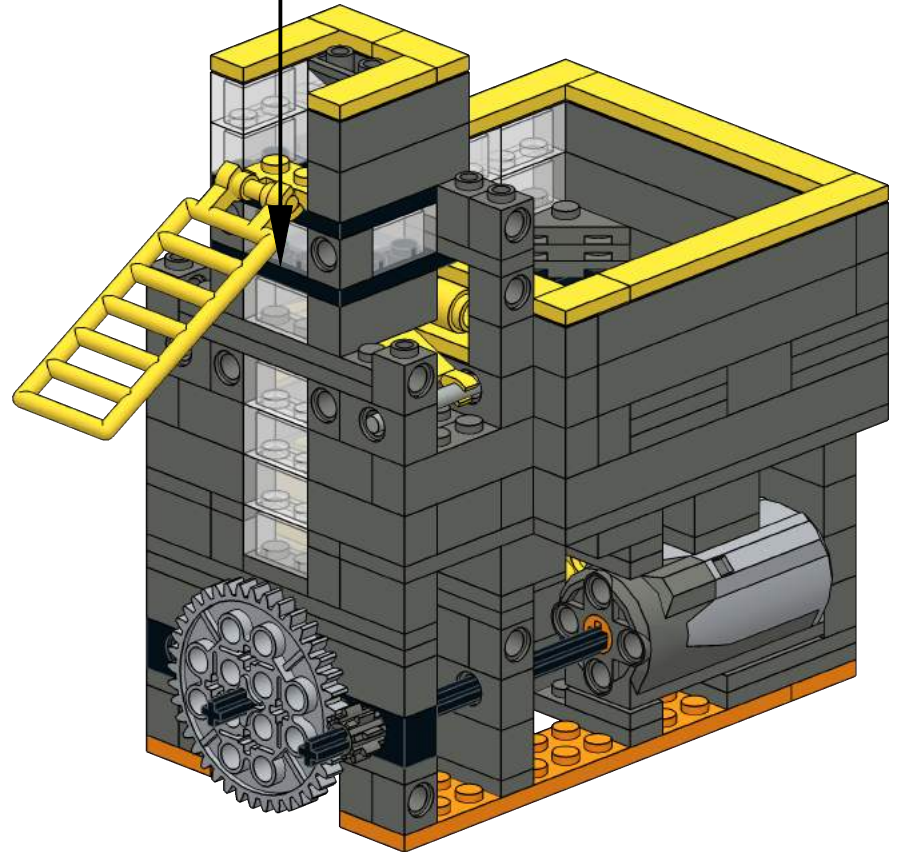
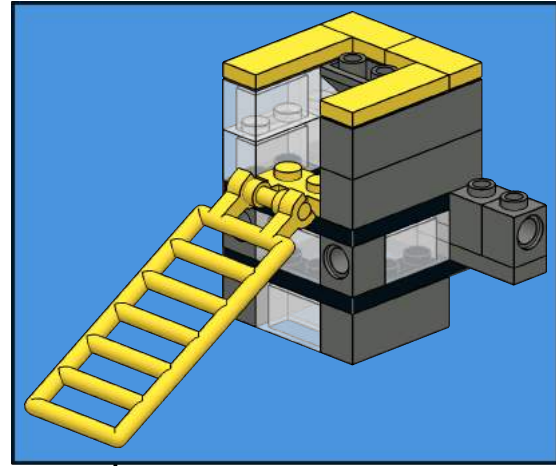




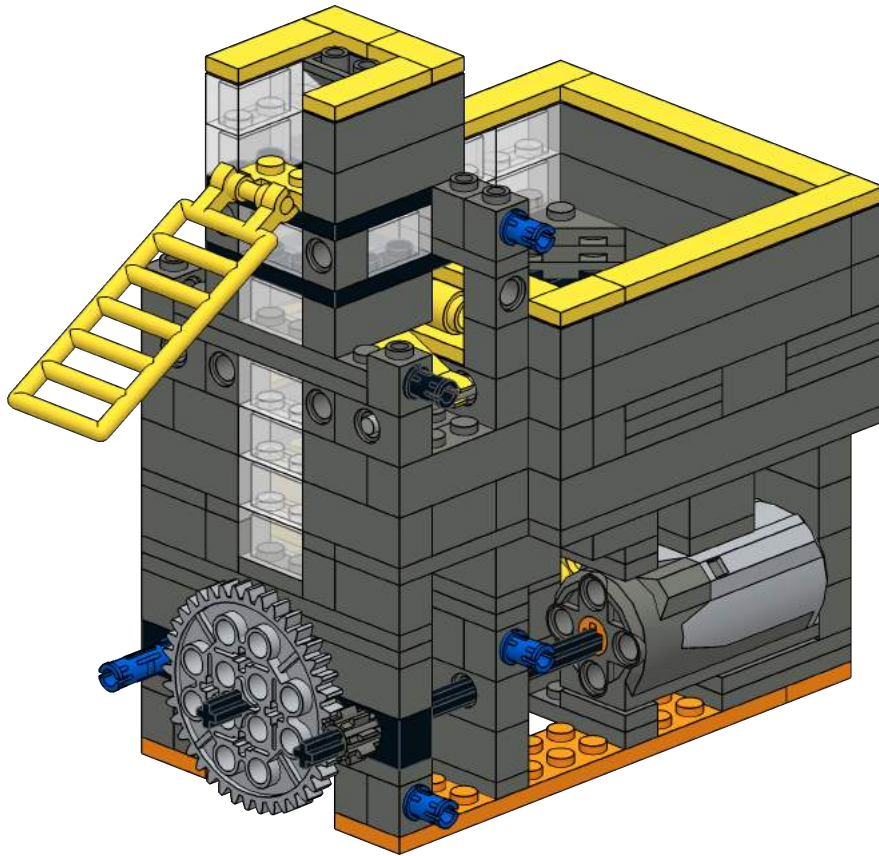
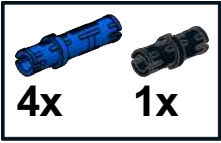
25 
4x



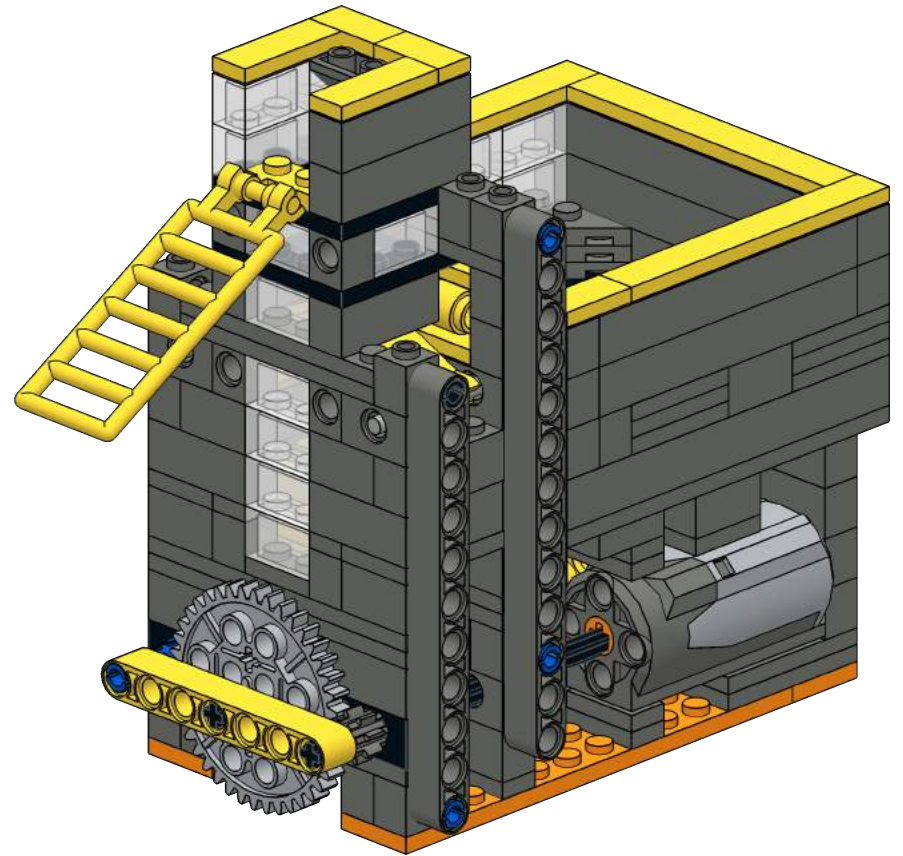
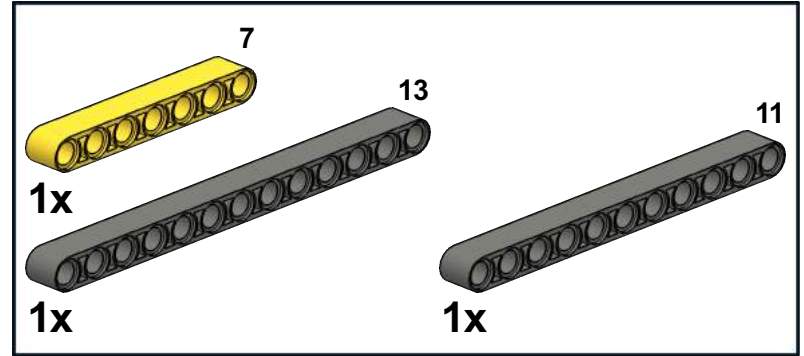
26



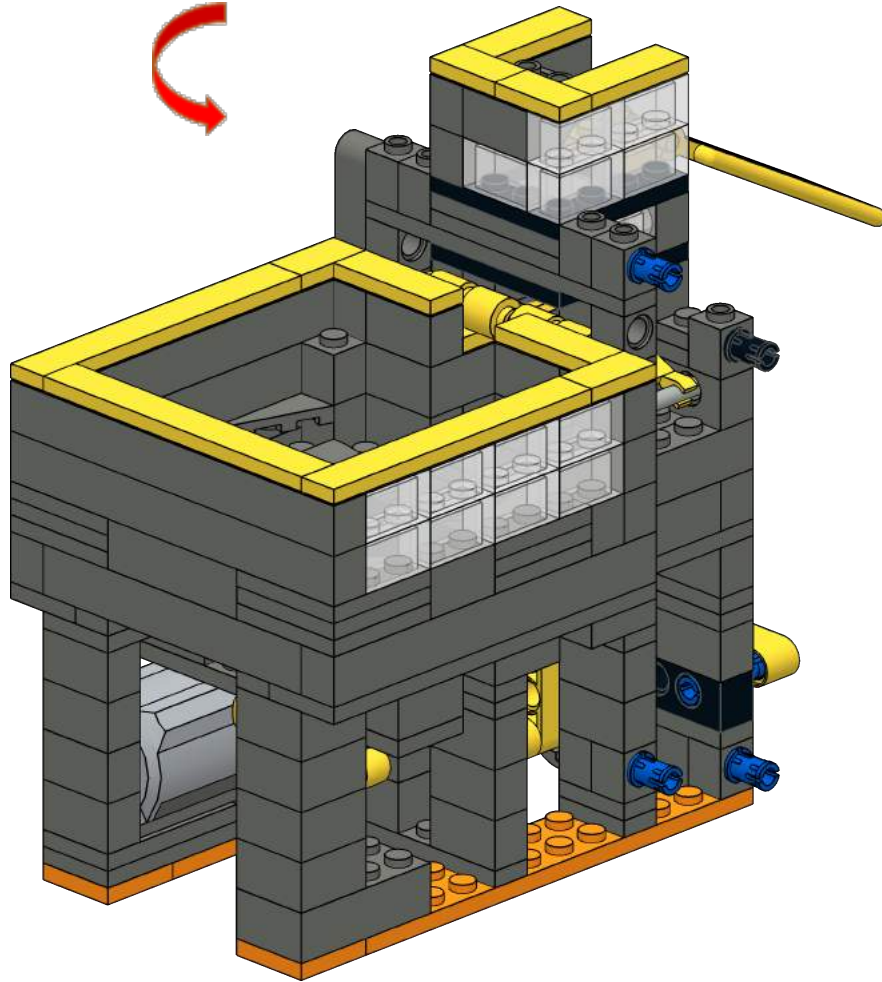
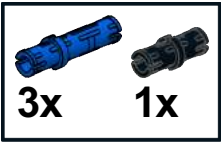
27



28



29



30

